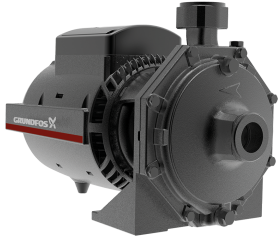


1 NS 3-40 CVBP



Grundfos NS

Grundfos

NS -

: -10 .. 50 °C
 : 20 °C
 : 998.2 / 3

: CVBP
 : CE,EAC,C-TICK,WEEE
 - : ISO9906:2012 3B

: 0 .. 40 °C

Maximum permissible inlet pressure: 2

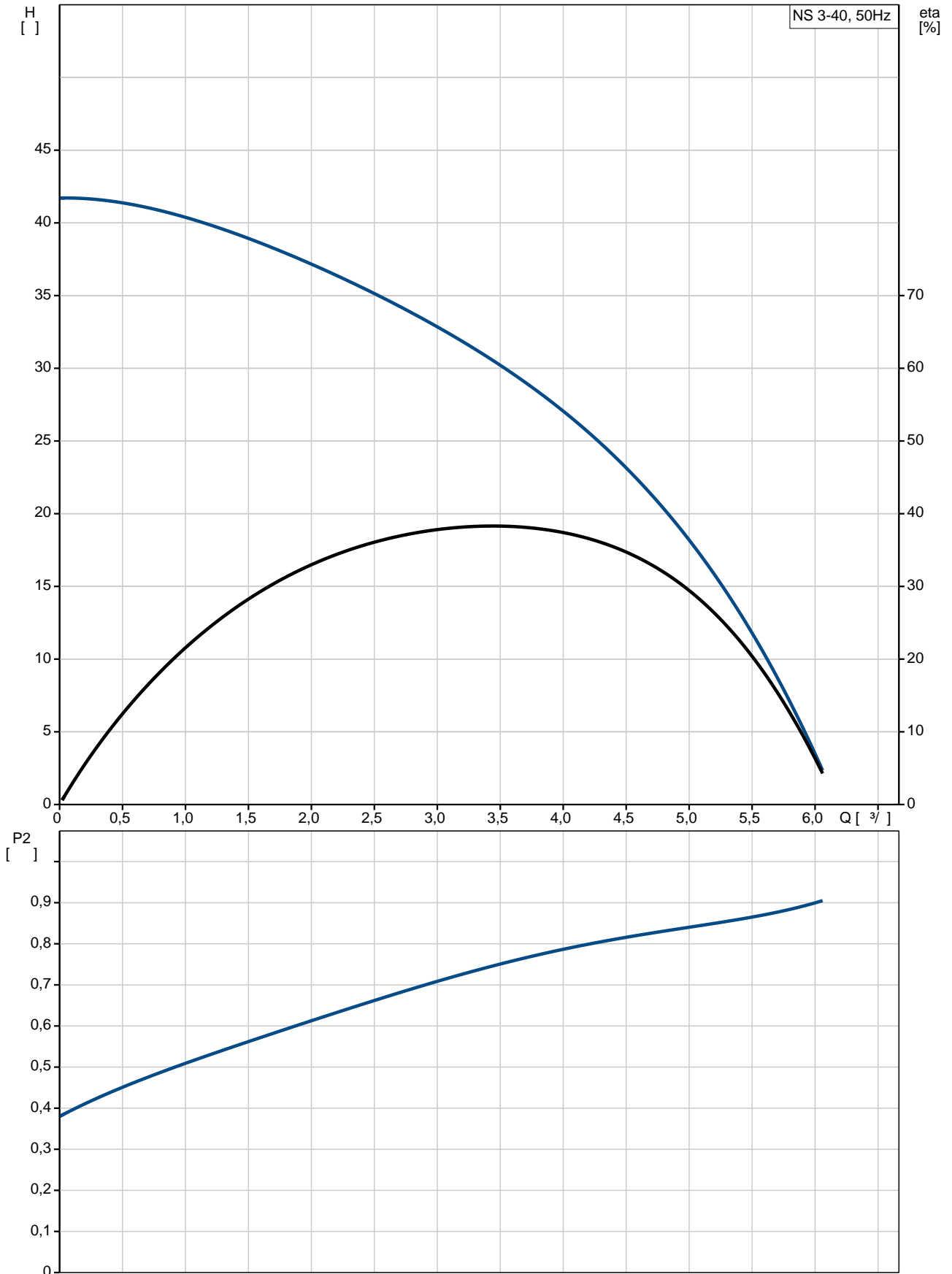
Rp 1"
 Rp 1"

- P1: 1.2
 : 50 Hz
 : 1 x 220-240
 : 5.5 A
 : 20 /450

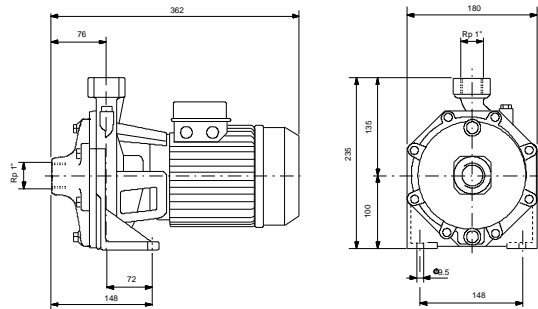
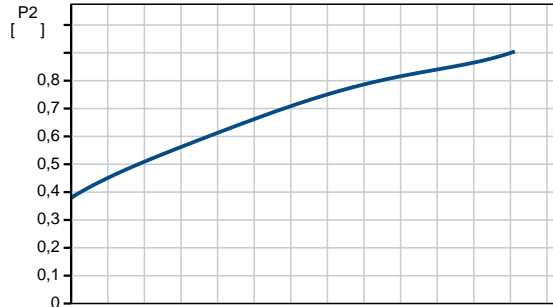
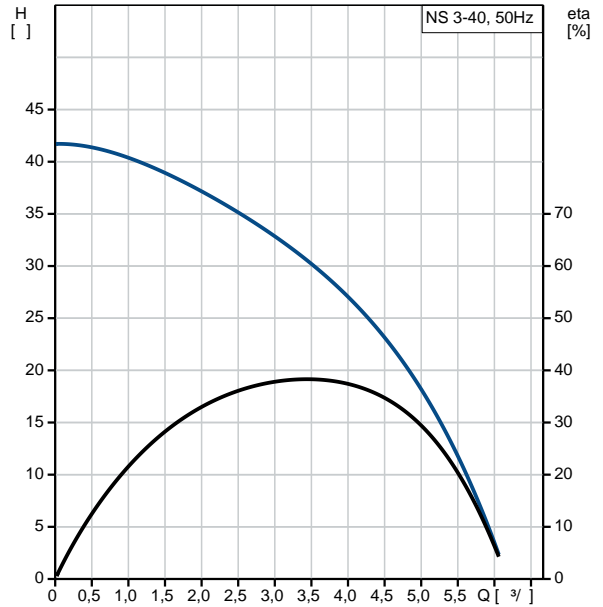
(IEC 34-5): IP44
 (IEC 85): F

15
 16
 : 0.024 3

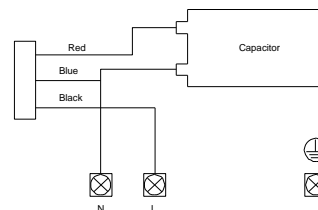
NS 3-40 CVBP 50



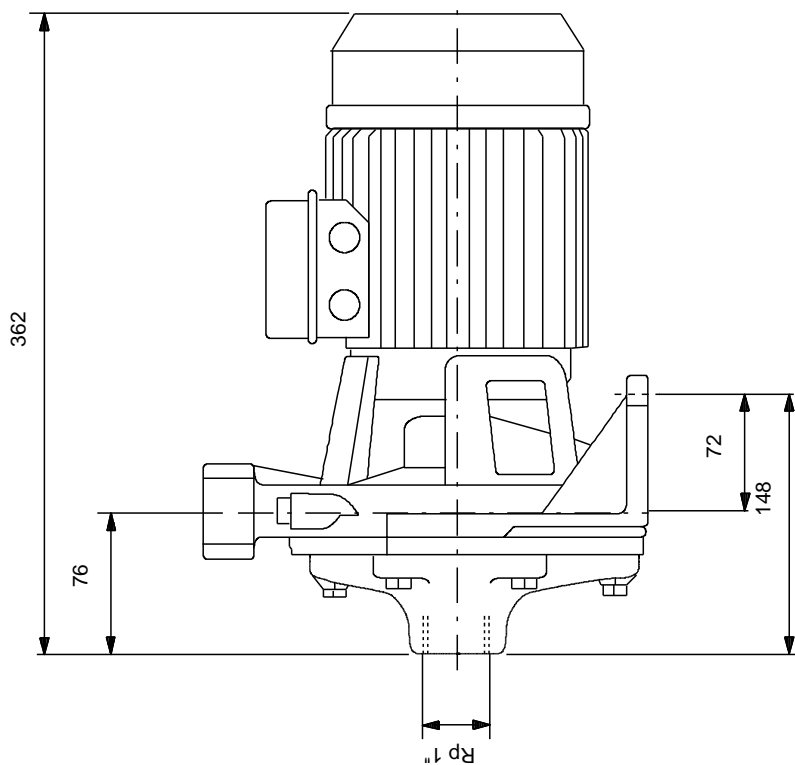
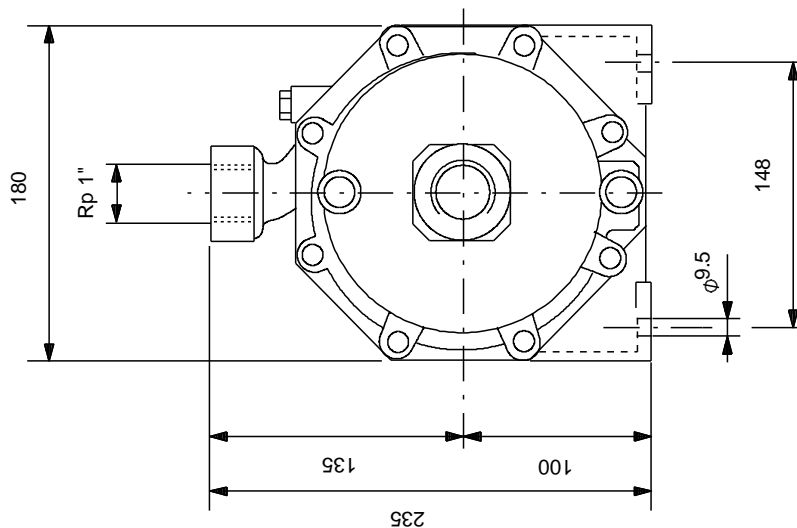
	NS 3-40 CVBP
EAN	
	44
	CVBP
	CE,EAC,C-TICK,WEEE
	ISO9906:2012 3B
	0 .. 40 °C
	6
Maximum permissible inlet pressure:	2
	Rp 1"
	Rp 1"
	-10 .. 50 °C
	20 °C
	998.2 / ³
	- P1: 1.2
	50 Hz
	1 x 220-240
	5.5 A
	20 /450
(IEC 34-5):	IP44
(IEC 85):	F
	N
	/
	15
	16
	0.024 ³



ELECTRICAL CONNECTIONS

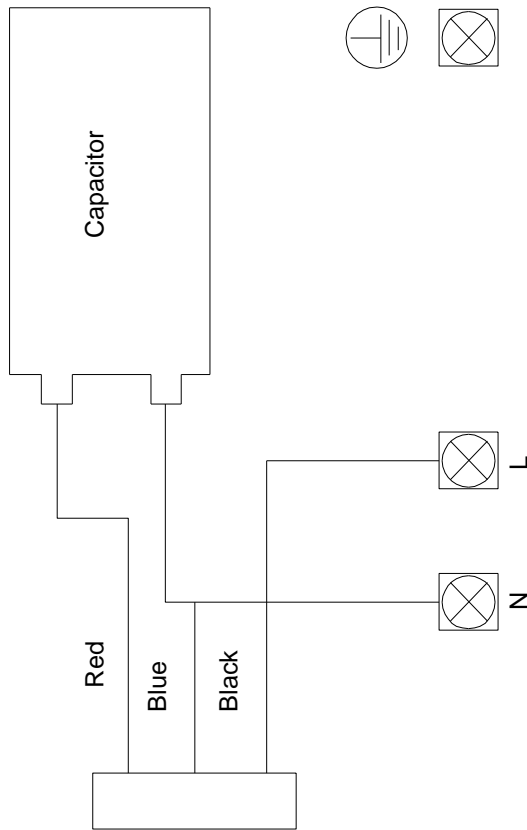


NS 3-40 CVBP 50



NS 3-40 CVBP 50

ELECTRICAL CONNECTIONS





Email:

(044) 402-01-11, (044) 592-22-02
sales@delta-term.ua
28.01.2019

: NS 3-40 CVBP
1

- :

:

: