

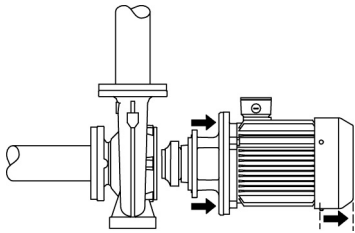
1 NB 40-125/127 AF2ABAQE



: 97839219

733 (10). ISO 5199, EN 1092-2. EN
 - PN 16

1 2013 . (MEI) 0,70. ()



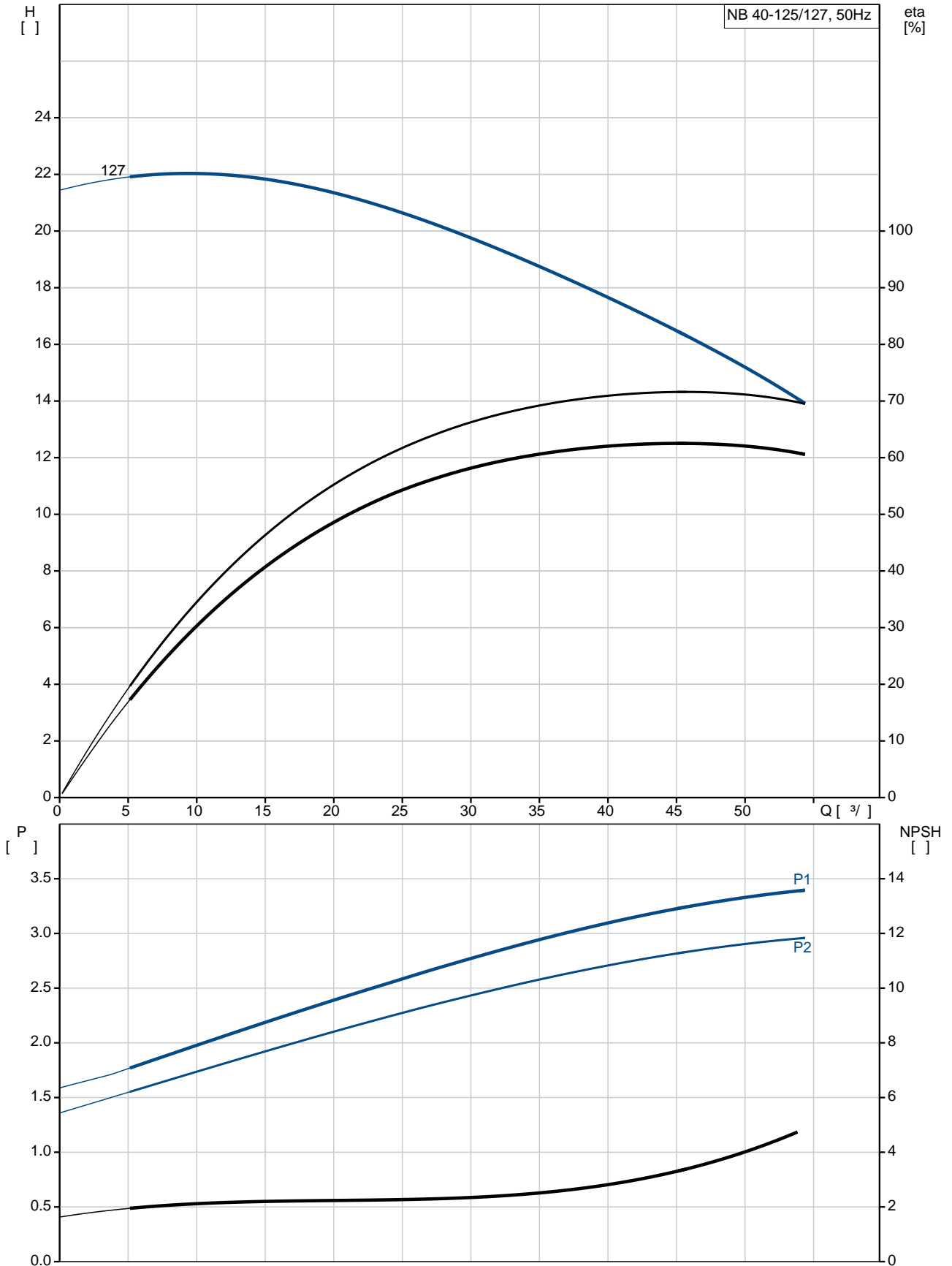
ISO 1940-1, G6.3,

°C. 120 °C. 90

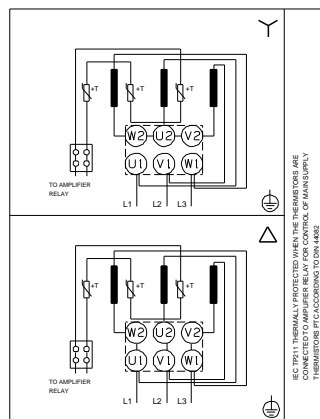
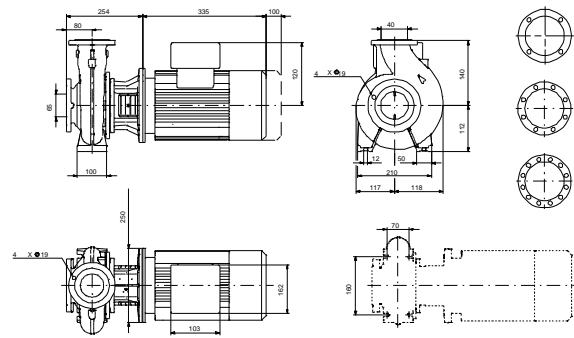
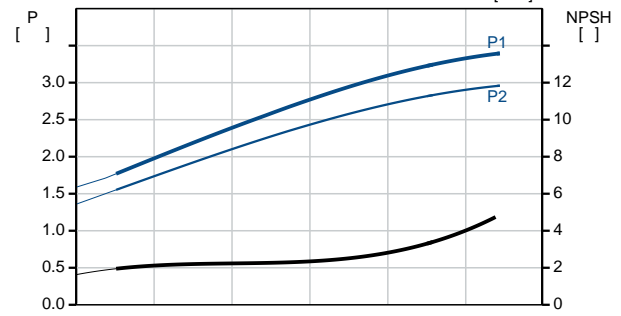
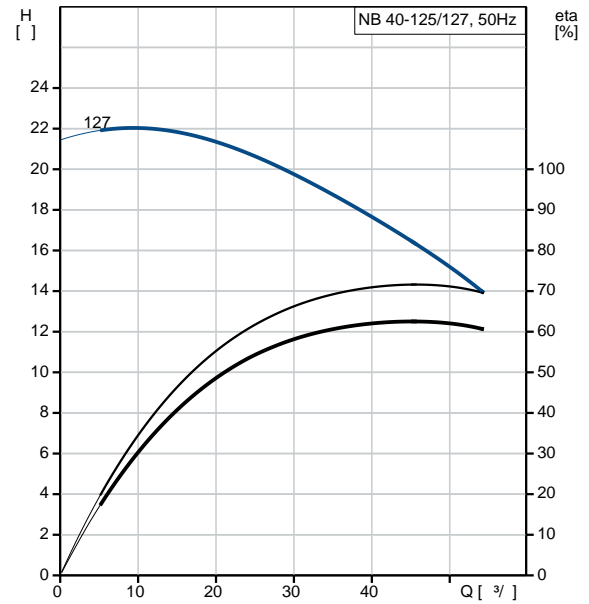
EPDM : EPDM ()
 . EPDM

: 100LC
 - : IE3
 - P2: 3
 : 50 Hz
 : 3 x 200-220D/346-380Y
 : 11,6-11,6/6,65-6,65 A
 : 1130-1270 %
 Cos - : 0.85-0.77
 : 2920-2940 /
 : IE3 87,1%
 : 87.1 %
 3/4 : 88.0 %
 1/2 : 87.7 %
 : 2
 (IEC 34-5): 55 Dust/Jetting
 (IEC 85): F
 : 99513967
 :
 , MEI : 0.70
 (): 53
 (): 63
 : 0.178 ³
 C : HU
 : 8413705100

97839219 NB 40-125/127 AF2ABAQE 50

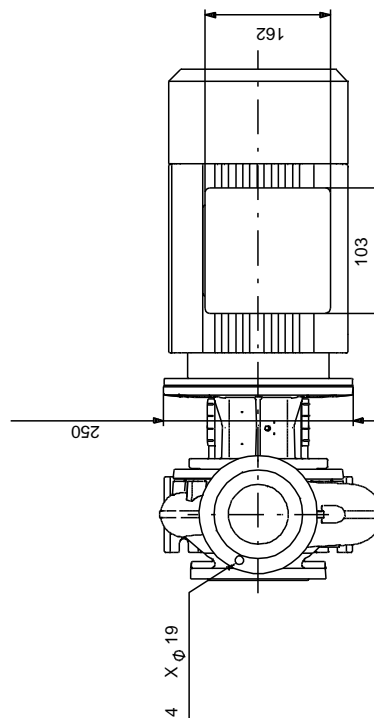
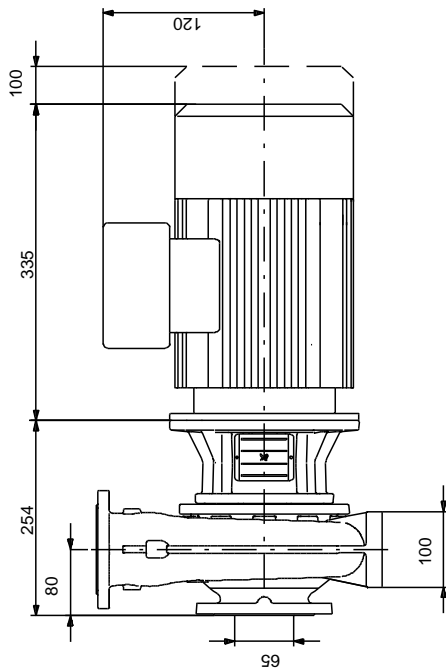
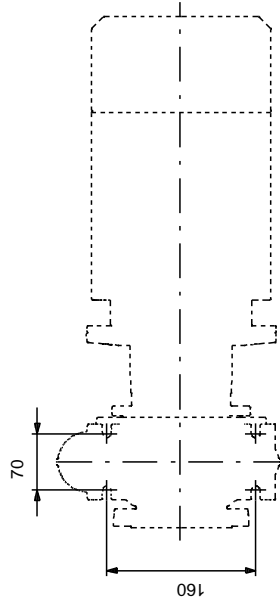
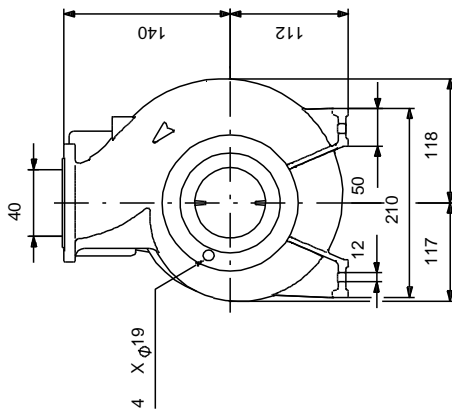
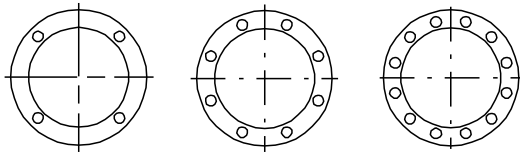


| | | |
|----------------------------|--|--------------------------------|
| | | NB 40-125/127 AF2ABAQE |
| | | 97839219 |
| EAN | | 5710625513803 5710625513803 |
| | | 2930 / |
| | | 45.36 ³ / |
| | | 16.33 |
| | | 127 |
| Nominal impeller diameter: | | 125 |
| | | 24 |
| | | BAQE |
| | | ISO9906:2012 3B2 |
| | | A |
| | | EN-GJL-250 |
| | | ASTM class 35 |
| Wear ring: | | Brass |
| | | EN-GJL-200 |
| | | ASTM class 30 |
| | | Stainless steel |
| Shaft: | | EN 1.4301 |
| | | AISI 304 |
| | | A |
| | | E |
| | | 60 °C |
| | | 16 |
| Pipe connection standard: | | EN 1092-2 |
| | | DN 65 |
| | | DN 40 |
| | | PN 16 |
| Pump housing with feet: | | Y |
| Support block: | | N |
| | | F2 |
| | | 0 .. 120 °C |
| | | 20 °C |
| | | 998.2 / ³ |
| | | 100LC |
| | | IE3 |
| | | - P2: 3 |
| | | 50 Hz |
| | | 3 x 200-220D/346-380Y |
| | | 11,6-11,6/6,65-6,65 A |
| | | 1130-1270 % |
| Cos | | 0.85-0.77 |
| | | 2920-2940 / |



| | | |
|-------|-------------|--------------------|
| | : | IE3 87,1% |
| | : | 87.1 % |
| | 3/4 | 88.0 % |
| 1/2 | : | 87.7 % |
| | : | 2 |
| | (IEC 34-5): | 55 Dust/Jetting |
| | (IEC 85): | F |
| | : | PTC |
| | : | 99513967 |
| | IEC 34-7: | IM V1/B5 |
| | : | NONE |
| | : | |
| MEI : | | 0.70 |
| (): | | 53 |
| (): | | 63 |
| | : | 0.178 ³ |
| C | : | HU |
| | : | 8413705100 |

97839219 NB 40-125/127 AF2ABAQE 50



! []