

1 Unilift KP 250 A 1



1-

F,

, 10

10

: 0 .. 50 °C  
998.2 / ³

: 10

DIN W.-Nr. 1.4301  
AISI 304

DIN W.-Nr. 1.4031  
AISI 304

Rp 1 1/4  
: 7

- P1: 480

: 50 Hz

: 1 x 220-230

: 2.3 A

: 8 /400

(IEC 34-5): IP68

(IEC 85): F

: 10

: SCHUKO

7

( ): 7.5

: 0.013 <sup>3</sup>

Danish VVS No.: 391215026

Swedish RSK No.: 5885712

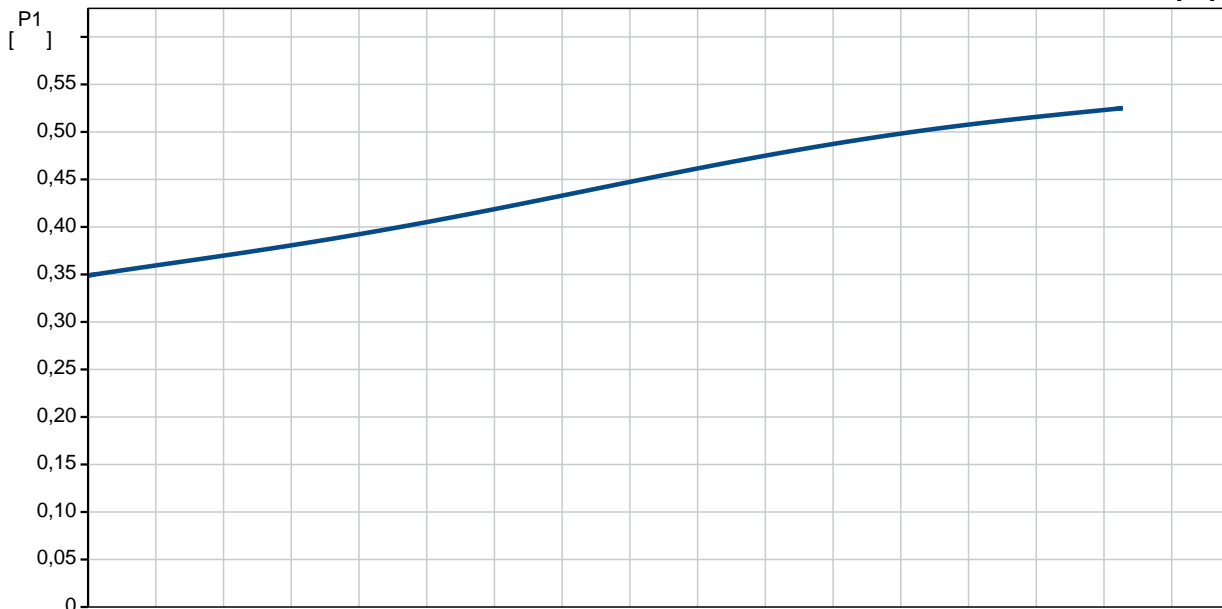
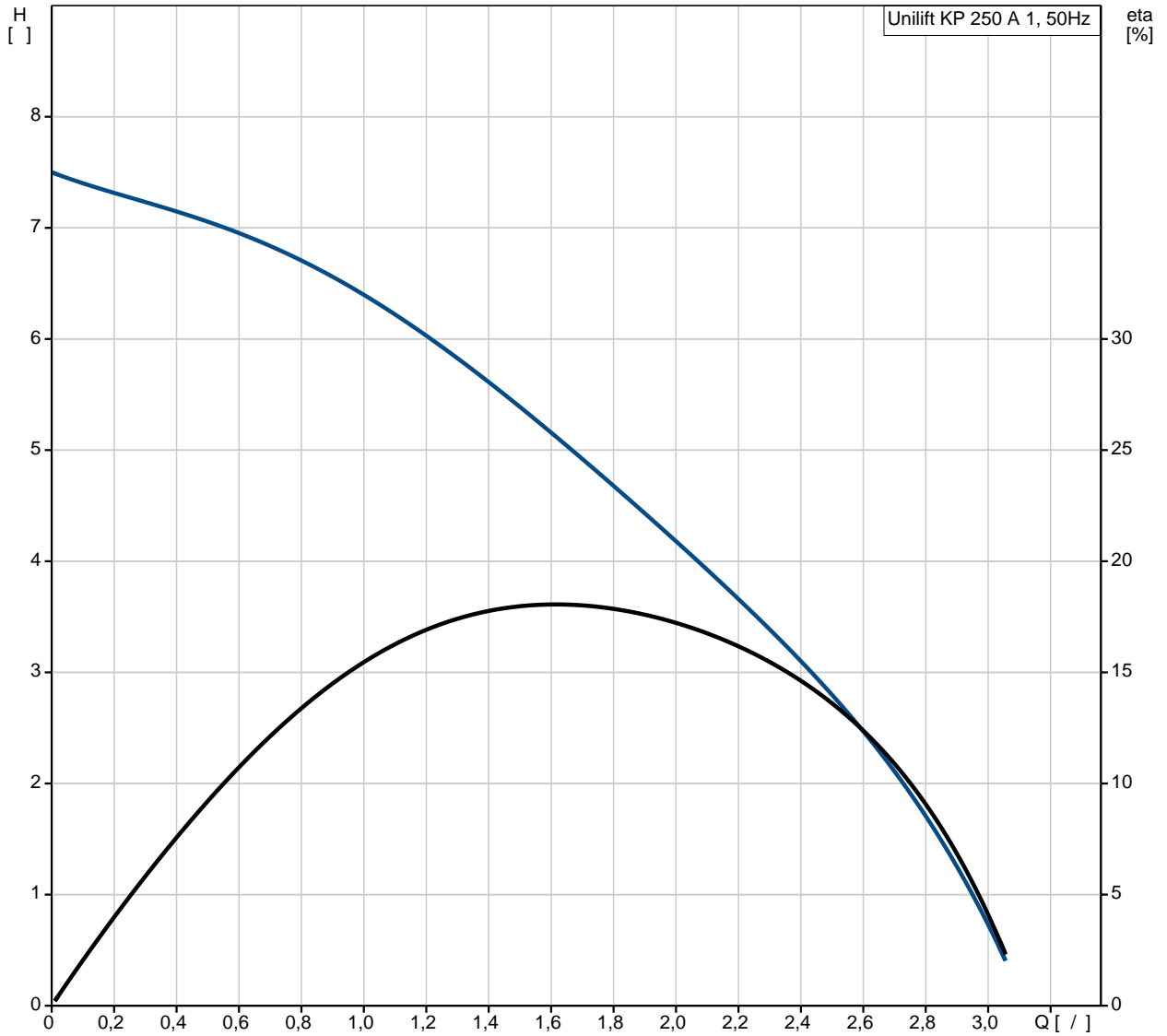
Finnish LVI No.: 4822507

Norwegian NRF no.: 9040754

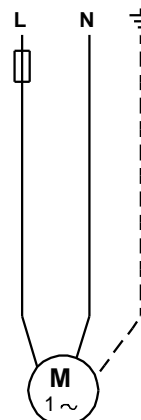
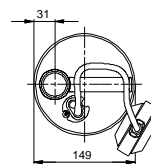
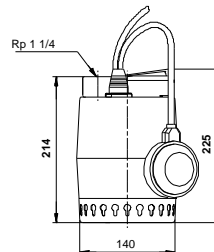
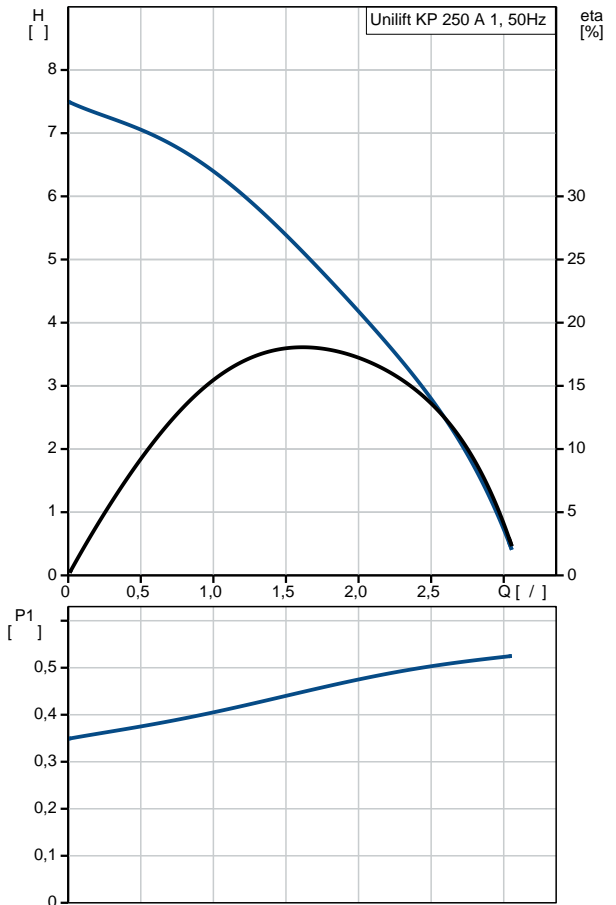
C : HU

: 8413702100

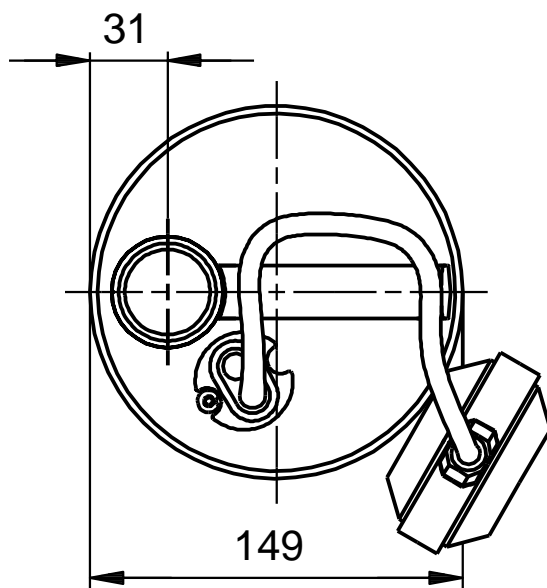
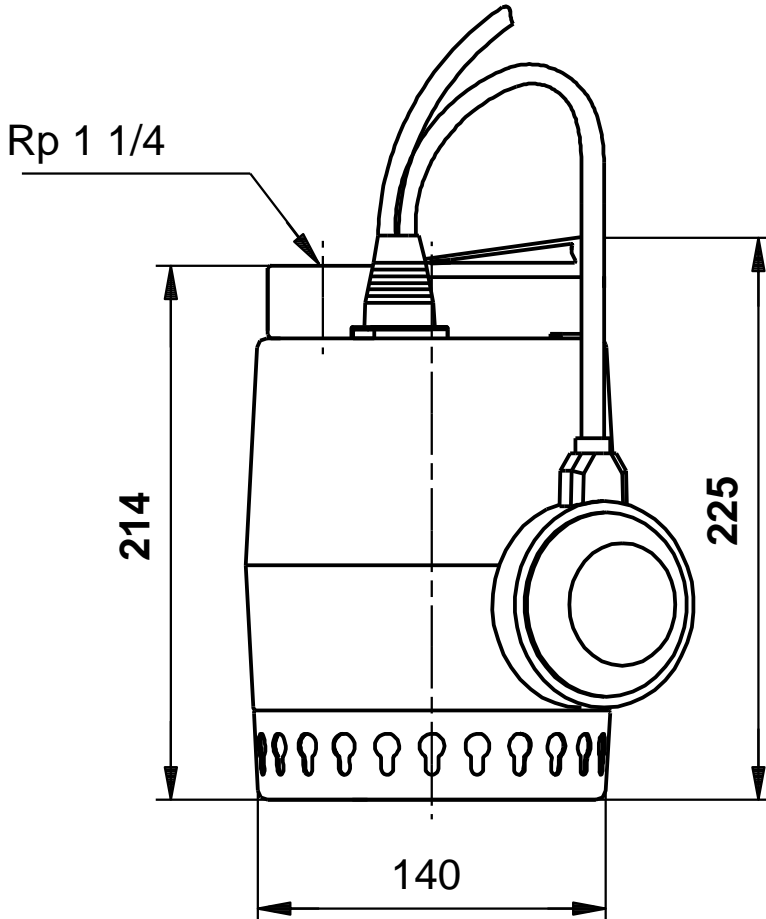
**Unilift KP 250 A 1 50**



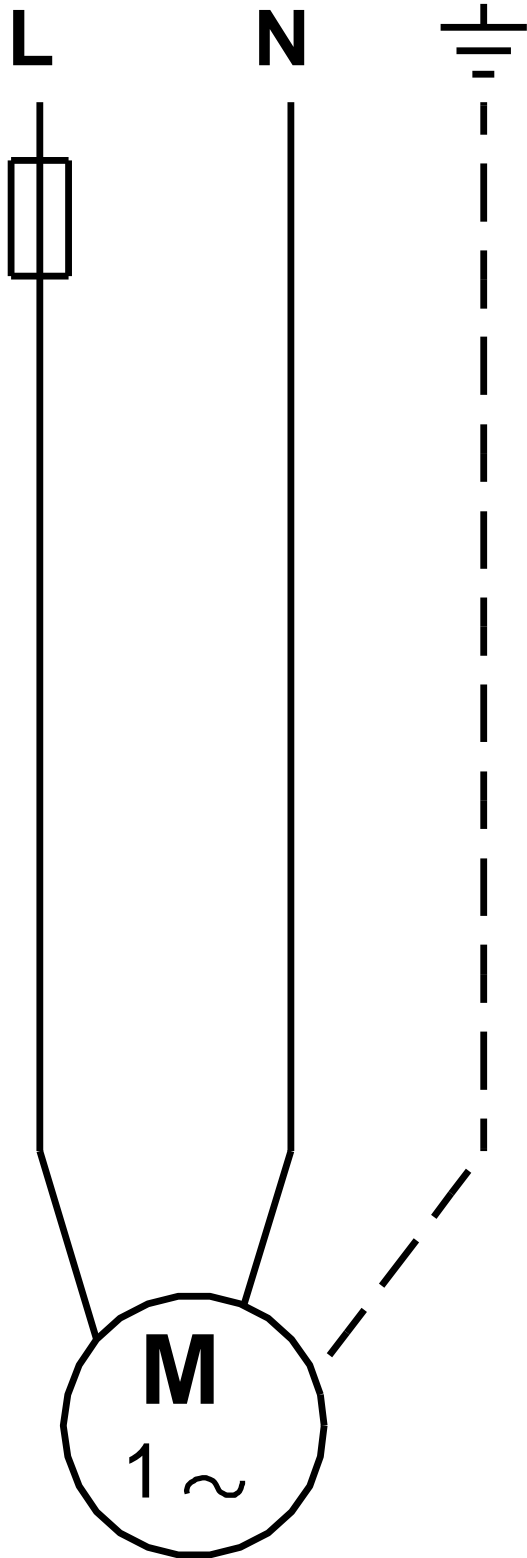
Unilift KP 250 A 1	
EAN	
Ma	3.11 /
	7.5
	10
	A
	DIN W.-Nr. 1.4301
	AISI 304
	DIN W.-Nr. 1.4031
	AISI 304
	Rp 1 1/4
	7
	0 .. 50 °C
	998.2 / <sup>3</sup>
- P1:	480
	50 Hz
	1 x 220-230
	2.3 A
	8 /400
(IEC 34-5):	IP68
(IEC 85):	F
	CONTACT
	10
	SCHUKO
	7
( ):	7.5
	0.013 <sup>3</sup>
Danish VVS No.:	391215026
Swedish RSK No.:	5885712
Finnish LVI No.:	4822507
Norwegian NRF no.:	9040754
C	HU
	8413702100



**Unilift KP 250 A 1 50**



**Unilift KP 250 A 1 50**



! [ ], .