

1 Unilift AP12.40.04.A1



: 0 .. 55 °C
998.2 / 3

: 12

DIN W.-Nr. 1.4301
AISI 304

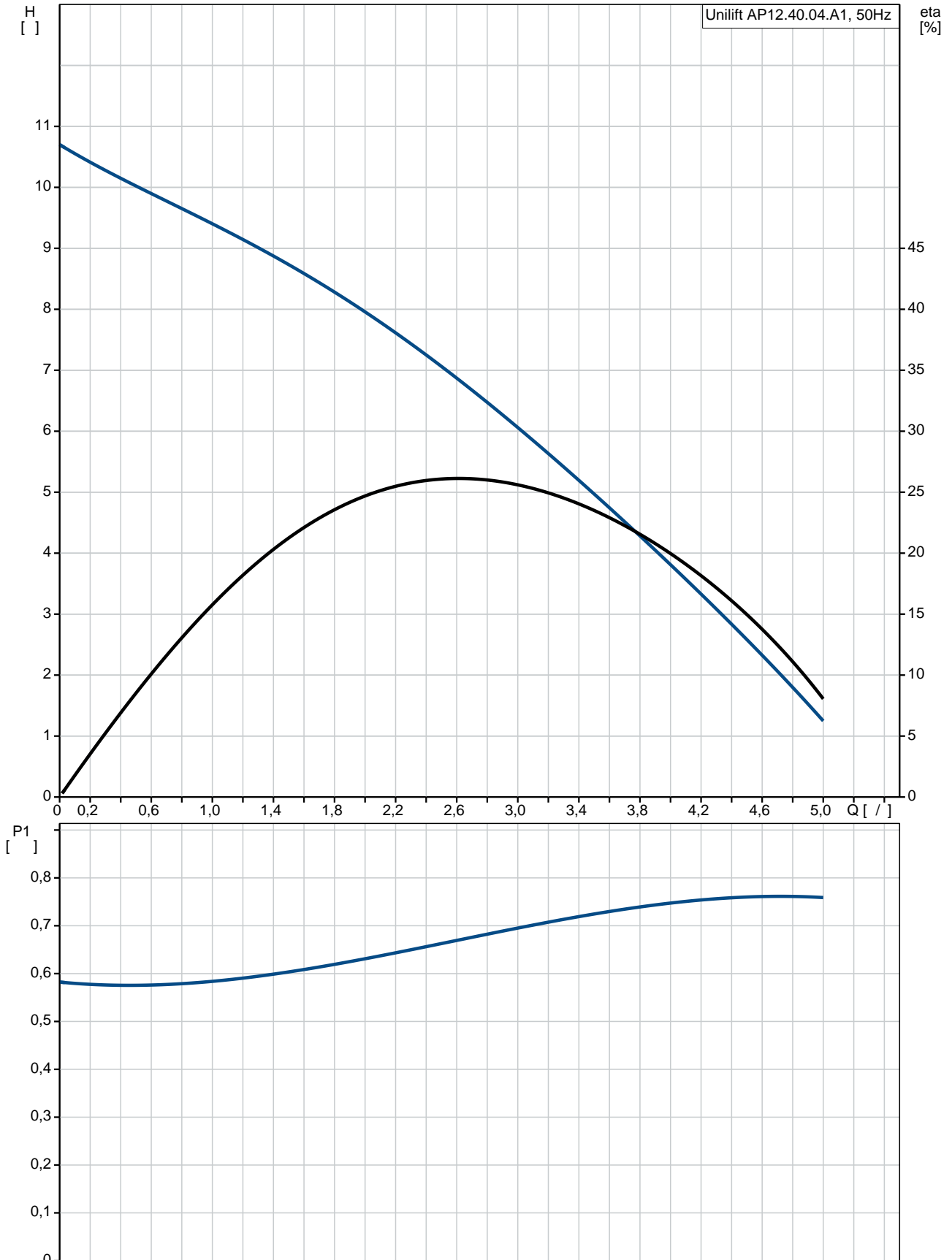
DIN W.-Nr. 1.4301
AISI 304

Rp 1 1/2
: 7

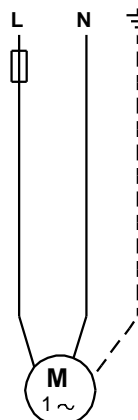
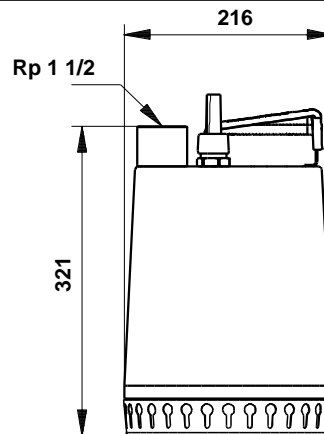
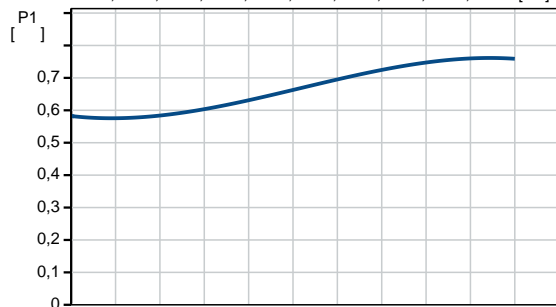
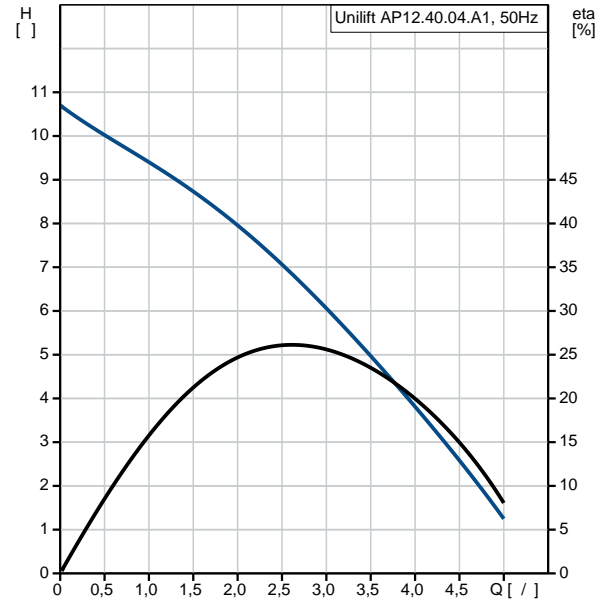
PSC
- P1: 0.7
50 Hz
1 x 230
3 A
Cos phi - : 0.99
2770 /
: 12 /400
(IEC 34-5): IP68
(IEC 85): F
10
SCHUKO

10.5
(): 11.5
Danish VVS No.: 391313301
Swedish RSK No.: 5885771
Finnish LVI No.: 4822511
Norwegian NRF no.: 9045603
C : HU
: 8413702100

Unilift AP12.40.04.A1 50



Unilift AP12.40.04.A1	
EAN	
Ma	3.89 /
	10
	12
	DIN W.-Nr. 1.4301 AISI 304
	DIN W.-Nr. 1.4301 AISI 304
	Rp 1 1/2
	7
	/ : D/S
	0 .. 55 °C
	998.2 / ³
	PSC
	- P1: 0.7
P2:	0.4
	50 Hz
	1 x 230
	3 A
Cos phi -	0.99
	2770 /
	12 /400
	(IEC 34-5): IP68
	(IEC 85): F
	CONTACT
	10
	SCHUKO
	10.5
():	11.5
Danish VVS No.:	391313301
Swedish RSK No.:	5885771
Finnish LVI No.:	4822511
Norwegian NRF no.:	9045603
C	HU



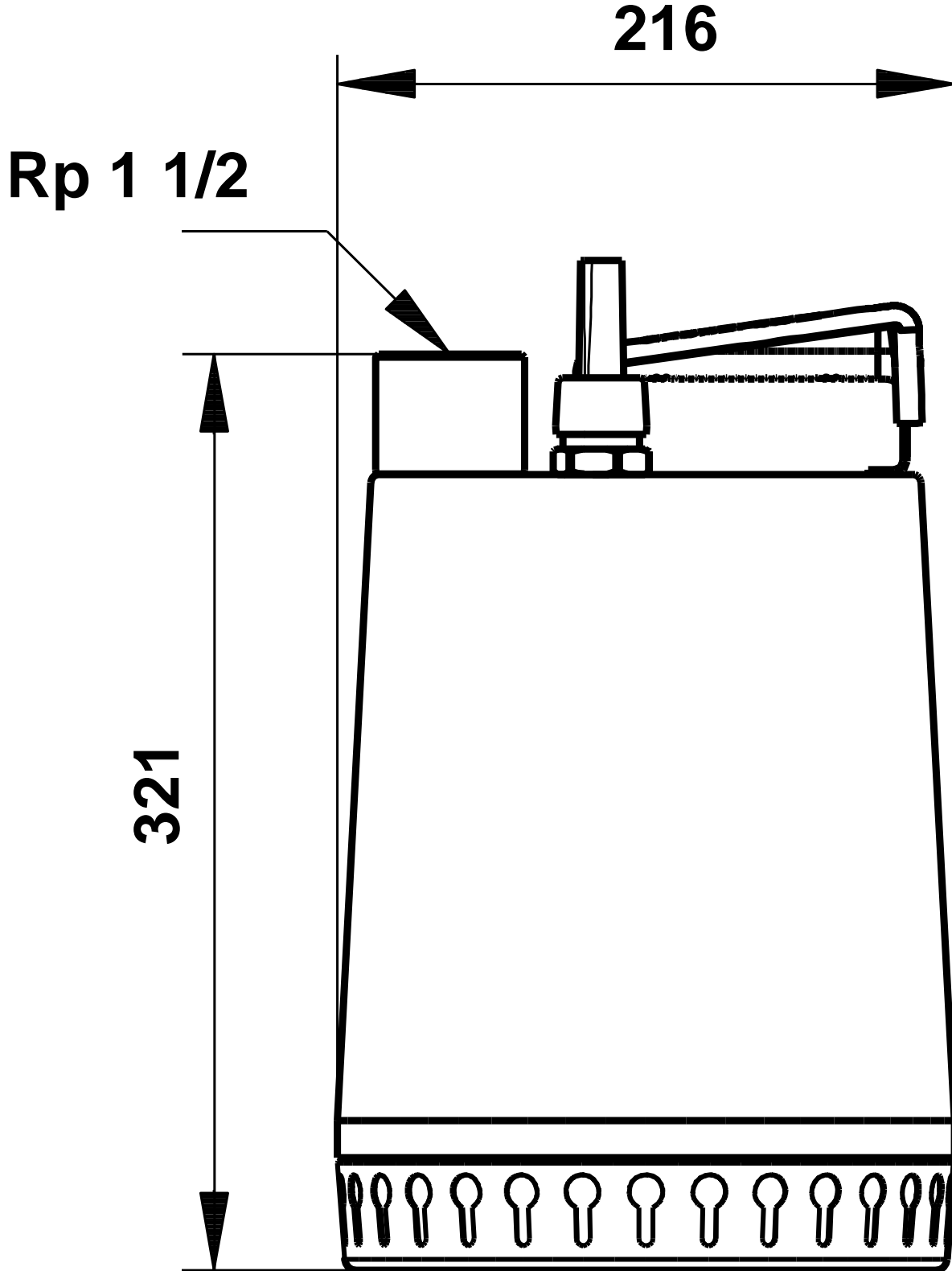


Email:

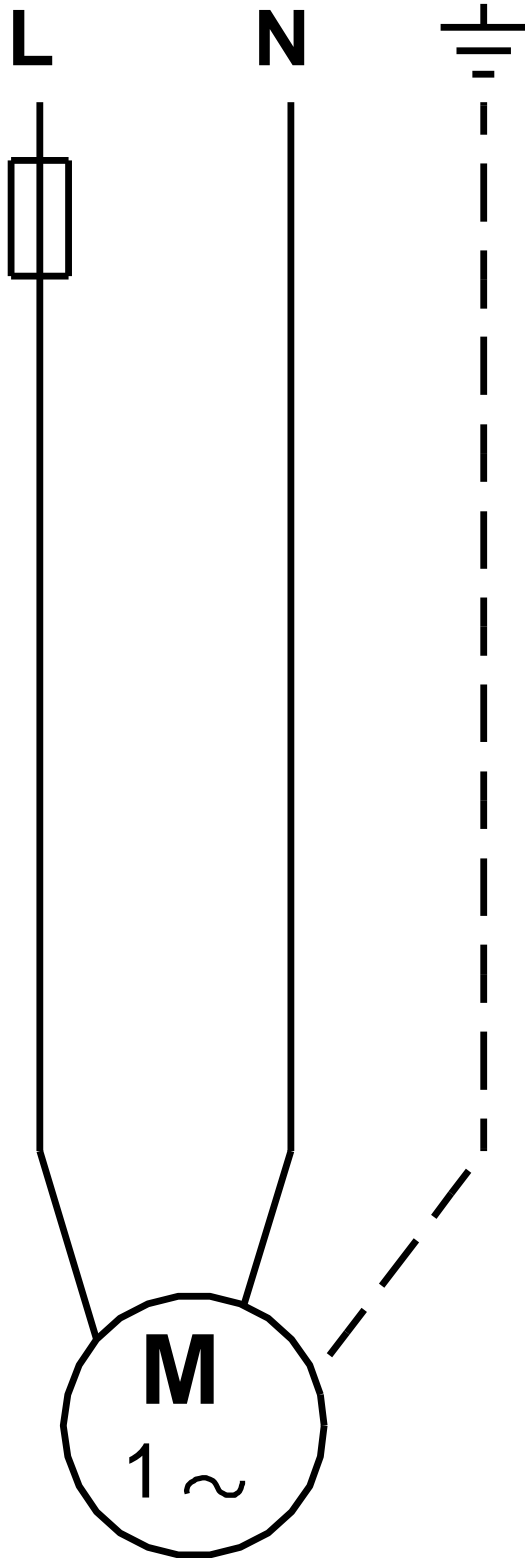
(044) 402-01-11
sales@delta-term.ua
25.09.2019

8413702100

Unilift AP12.40.04.A1 50



Unilift AP12.40.04.A1 50



! [], .