

1 PRODNAME}



Unilift CC

Grundfos

3

0
0
0
0
0

?10

: 10

PP 15 GF
 PPOm 20 GF

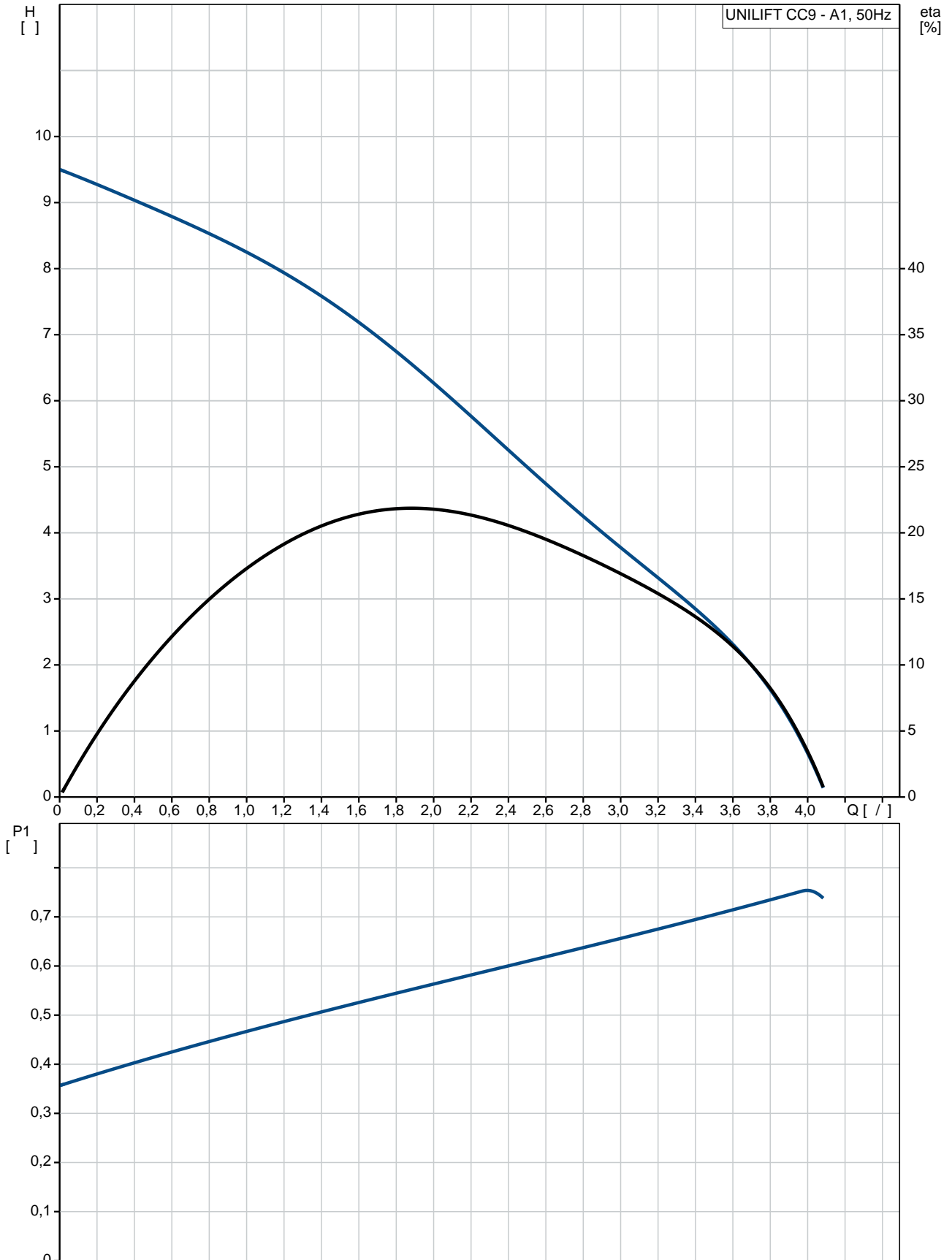
R 1 1/4
 : 10

: 0 .. 40 °C
 998.2 / ³

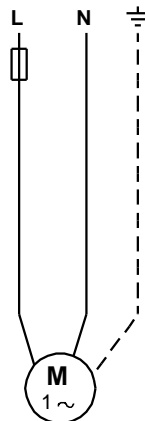
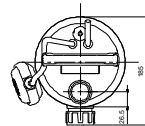
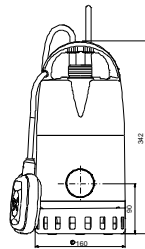
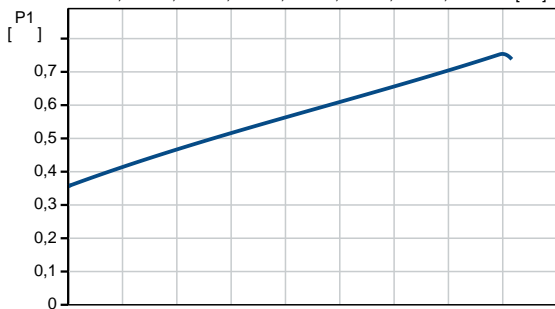
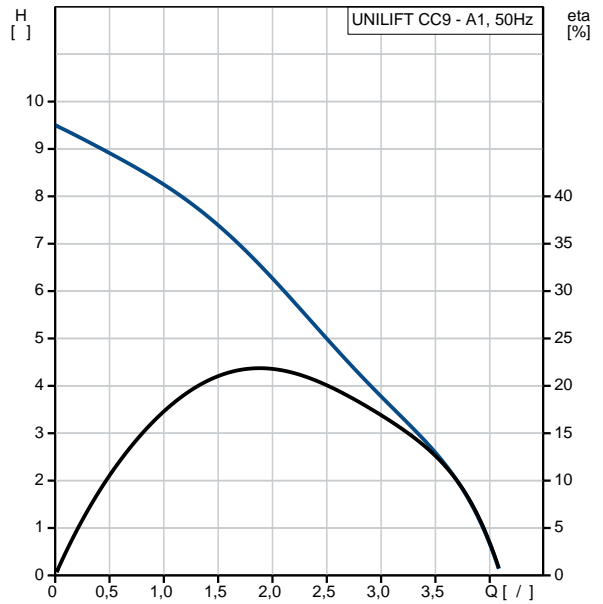
:
: 50 Hz
: 1 x 220-240
: 3.5 A
- : 8 /450
(IEC 34-5): IP68
(IEC 85): B
: 10
: SCHUKO

:
:
(): 6.79
: 7.55
: 0.017 ³
Danish VVS No.: 391280391
Swedish RSK No.: 5885926
Norwegian NRF no.: 9045642
C : HU
: 8413702100

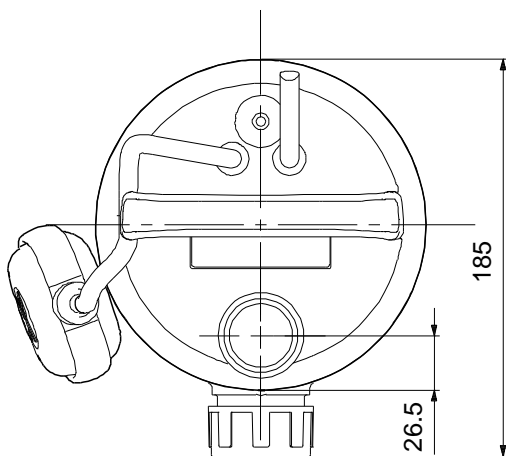
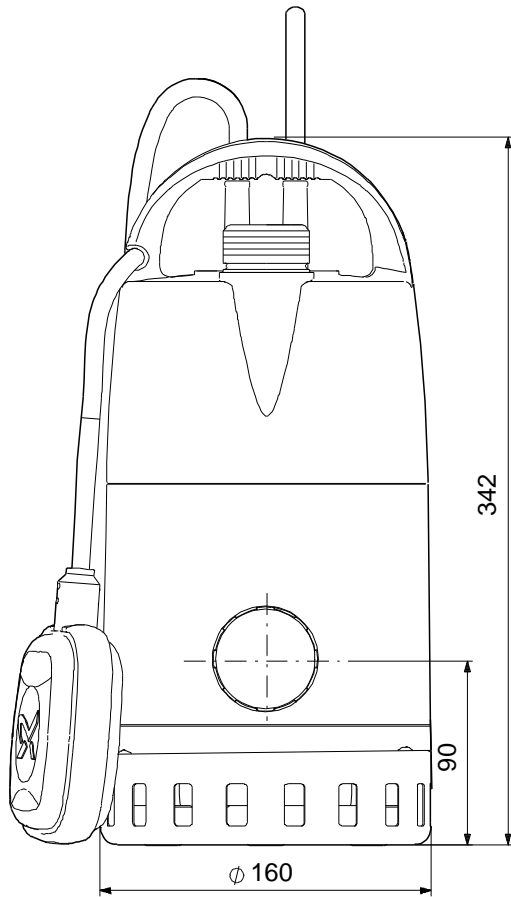
UNILIFT CC9 - A1 50



UNILIFT CC9 - A1	
EAN	
Ma	3.89 /
	9
	10
	PP 15 GF
	PPOm 20 GF
	R 1 1/4
	10
	0 .. 40 °C
	998.2 / ³
	50 Hz
	1 x 220-240
	3.5 A
	8 /450
(IEC 34-5):	IP68
(IEC 85):	B
	10
	SCHUKO
	6.79
():	7.55
	0.017 ³
Danish VVS No.:	391280391
Swedish RSK No.:	5885926
Norwegian NRF no.:	9045642
C	HU
	8413702100



UNILIFT CC9 - A1 50



UNILIFT CC9 - A1 50

