

1 UPS 65-185 F



* 3
 *
 *
 *
 *
 *
 *

- 3 -

: -10 .. 120 °C
 : 60 °C
 : 983.2 / 3

: AAA,EAC

EN-JL1040
 ASTM 35 B - 40 B

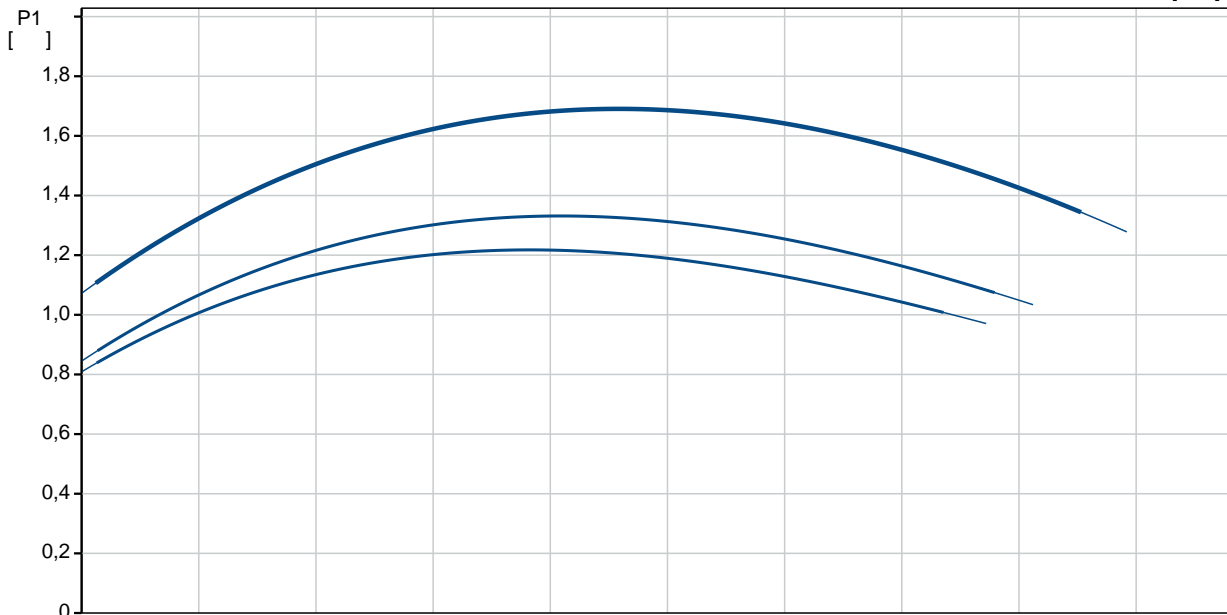
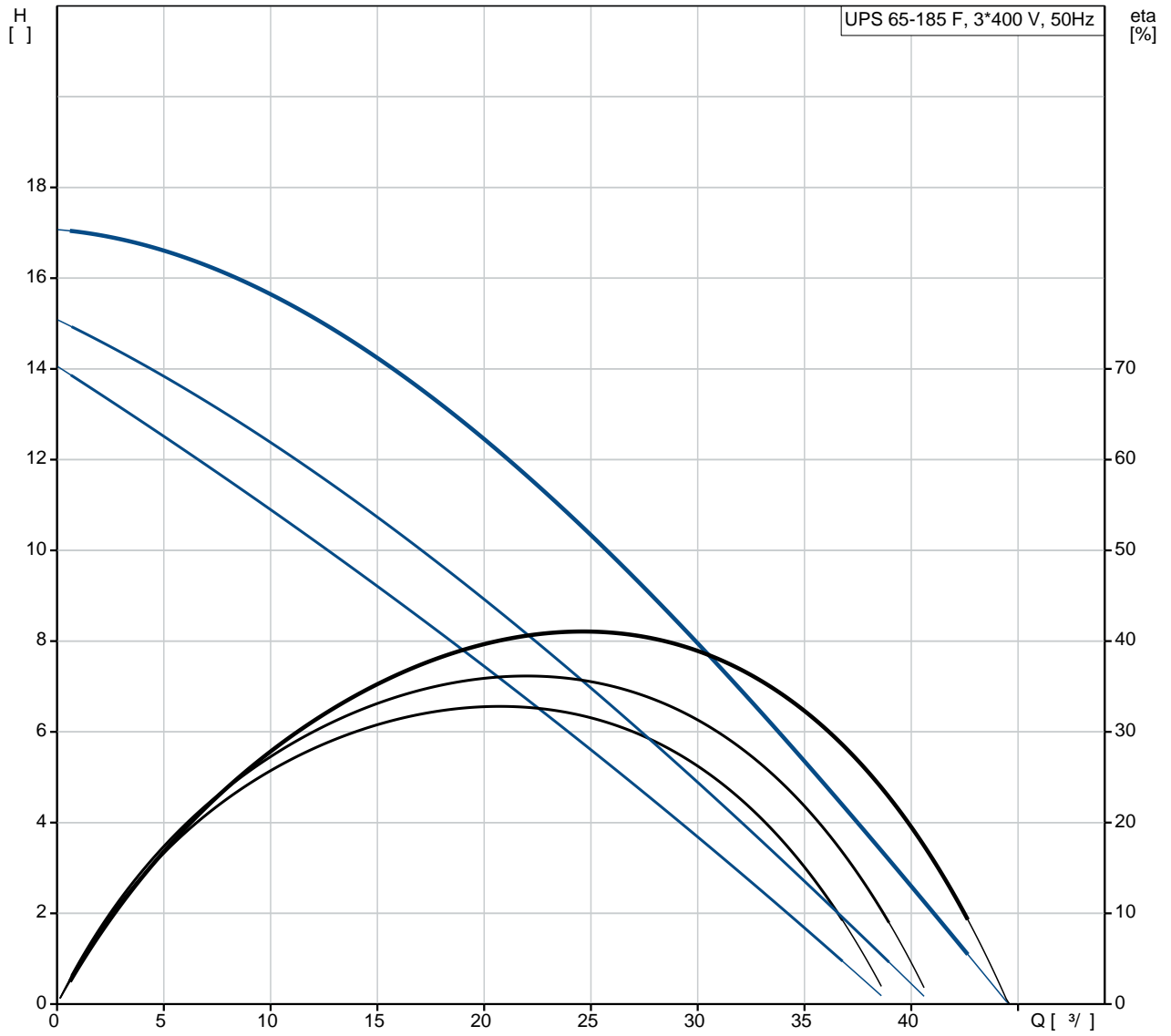
DIN W.-Nr. 1.4301
 AISI 304

: 0 .. 40 °C

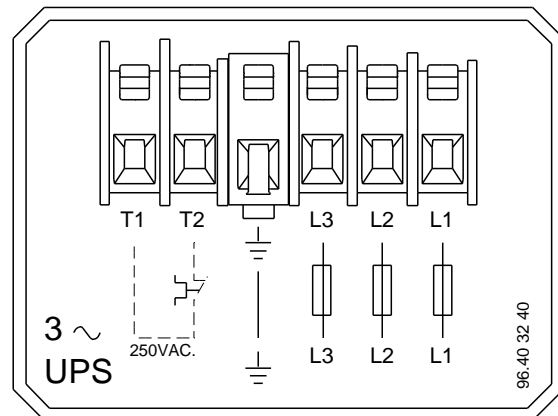
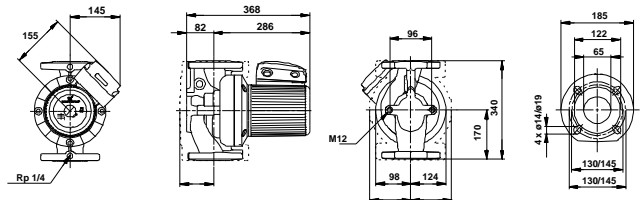
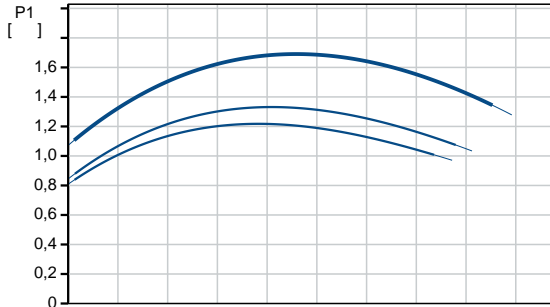
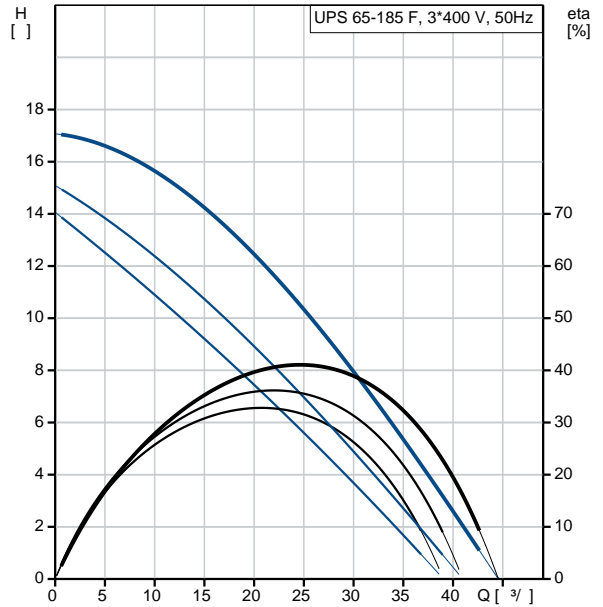
: 10
 : DIN
 : DN 65

PN 6 / PN 10
340
1: 1220
2: 1340
1710
50 Hz
3 x 400-415
1: 2 A
2: 2.2 A
3: 3.25 A
Cos 1: 0.88
Cos 2: 0.88
Cos : 0.76
(IEC 85): H
Enclosure class (IEC 60529): X4D
32.5
33.7
0.055³
Danish VVS No.: 380738043
C : RS
8413703000

UPS 65-185 F 50

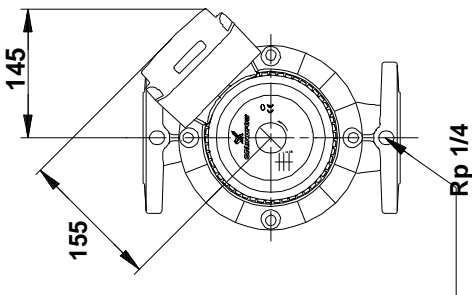
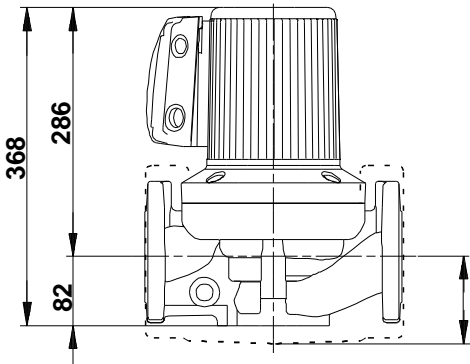
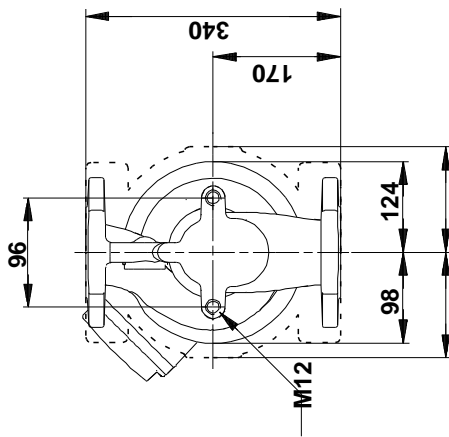
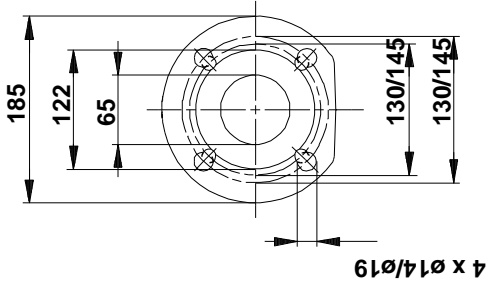


		UPS 65-185 F
EAN		
		3
		185
		AAA,EAC
		EN-JL1040
		ASTM 35 B - 40 B
		DIN W.-Nr. 1.4301
		AISI 304
		0 .. 40 °C
		10
		DIN
		DN 65
		PN 6 / PN 10
		340
		-10 .. 120 °C
		60 °C
		983.2 / ³
	1:	1220
	2:	1340
		1710
		50 Hz
		3 x 400-415
	1:	2 A
	2:	2.2 A
	3:	3.25 A
Cos	1:	0.88
Cos	2:	0.88
Cos		0.76
	(IEC 85):	H
Enclosure class (IEC 60529):		X4D
		CONTACT
		1.30H
		32.5
		33.7
		0.055 ³
Danish VVS No.:		380738043
C		RS
		8413703000



UPS 65-185 F 50

UPS 65-185 F 50



UPS 65-185 F 50

