

1 UPS 65-120 F



* 3
 *
 *
 *
 *
 *
 *

- 3 -

: -10 .. 120 °C
 : 60 °C
 : 983.2 / 3

: AAA,EAC

EN-JL1040
 ASTM 35 B - 40 B

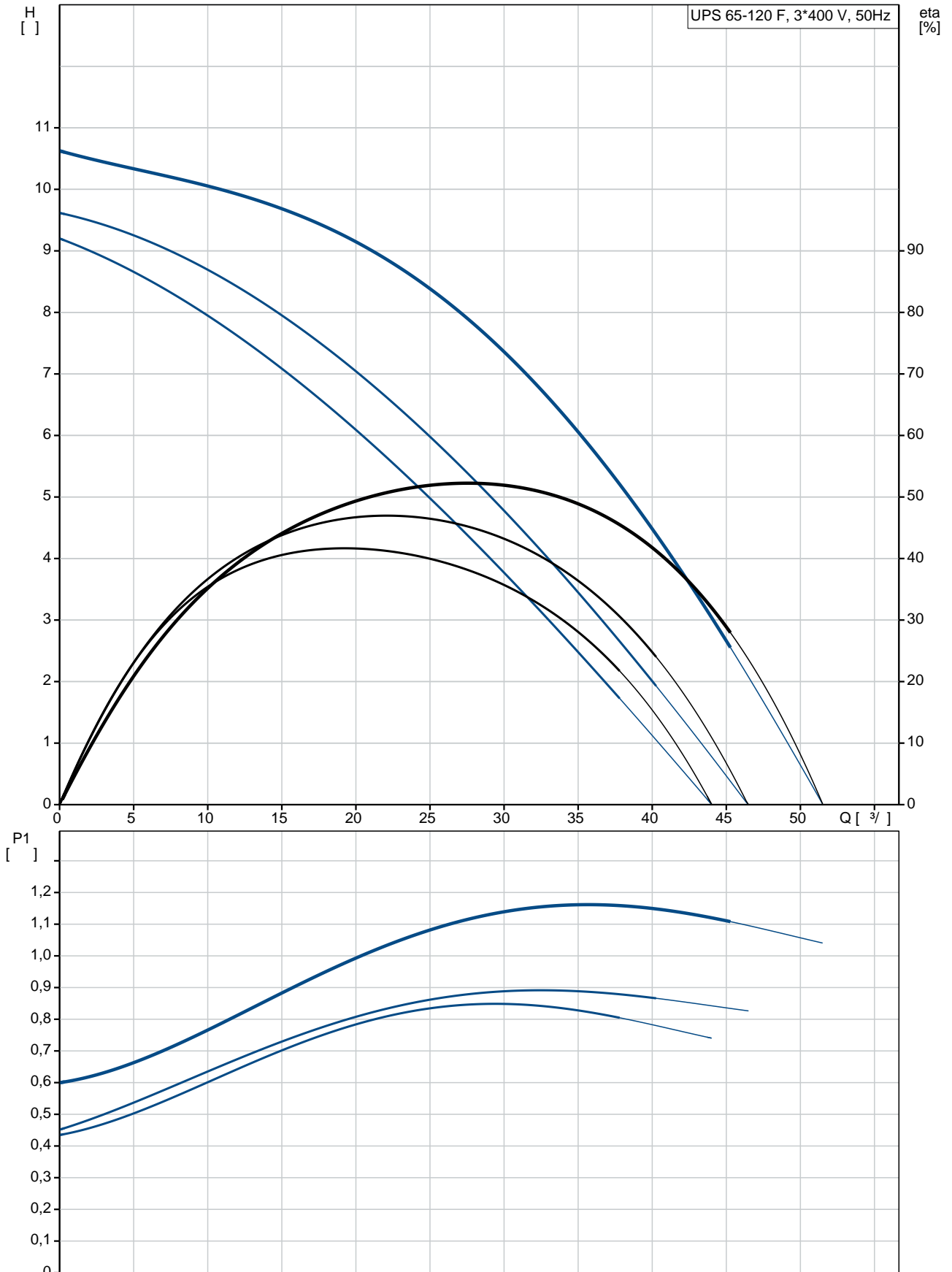
DIN W.-Nr. 1.4301
 AISI 304

: 0 .. 40 °C

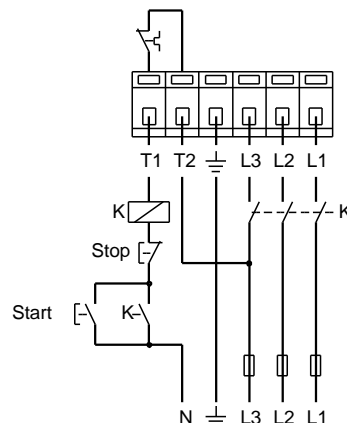
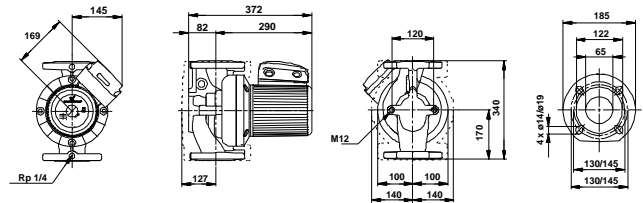
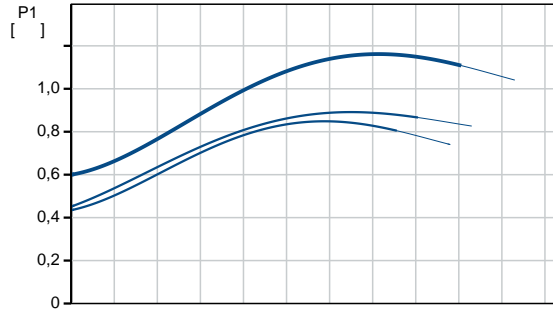
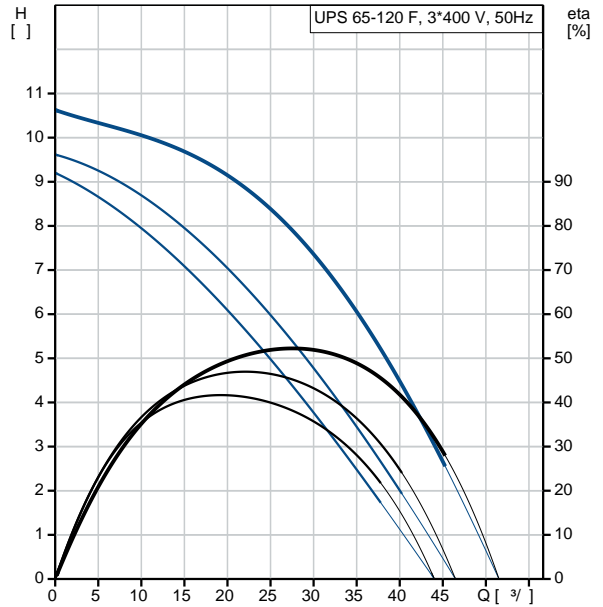
: 10
 : DIN
 : DN 65

PN 6 / PN 10
340
1: 850
2: 900
1150
50 Hz
3 x 400-415
1: 1.35 A
2: 1.45 A
3: 2.15 A
Cos 1: 0.91
Cos 2: 0.9
Cos : 0.77
(IEC 85): H
Enclosure class (IEC 60529): X4D
25
28.8
0.043³
Danish VVS No.: 380735043
Finnish LVI No.: 4615430
Norwegian NRF no.: 9042438
C : RS
8413703000

UPS 65-120 F 50

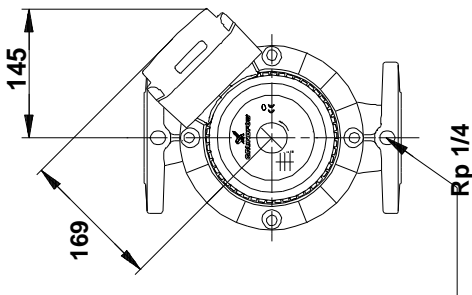
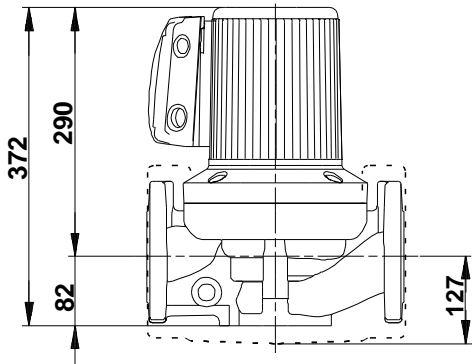
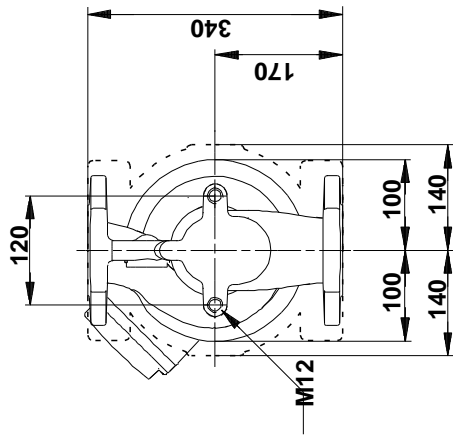
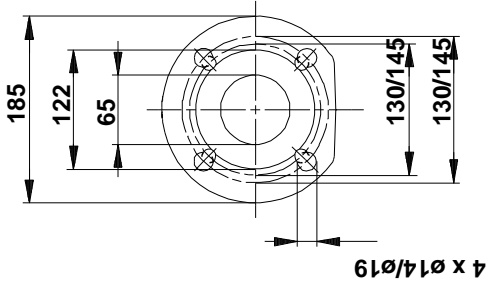


	UPS 65-120 F
EAN	
	3
	120
	AAA,EAC
	EN-JL1040
	ASTM 35 B - 40 B
	DIN W.-Nr. 1.4301
	AISI 304
	0 .. 40 °C
	10
	DIN
	DN 65
	PN 6 / PN 10
	340
	-10 .. 120 °C
	60 °C
	983.2 / ³
	1: 850
	2: 900
	1150
	50 Hz
	3 x 400-415
	1: 1.35 A
	2: 1.45 A
	3: 2.15 A
Cos	1: 0.91
Cos	2: 0.9
Cos	0.77
	(IEC 85): H
Enclosure class (IEC 60529):	X4D
	CONTACT
	1.30H
	25
	28.8
	0.043 ³
Danish VVS No.:	380735043
Finnish LVI No.:	4615430
Norwegian NRF no.:	9042438
C	RS
	8413703000



UPS 65-120 F 50

UPS 65-120 F 50



UPS 65-120 F 50

