

1 UPS 50-185 F



\* 3  
 \*  
 \*  
 \*  
 \*  
 \*  
 \*

- 3 -

: -10 .. 120 °C  
 : 60 °C  
 : 983.2 / 3

: AAA,EAC

EN-JL1040  
 ASTM 35 B - 40 B

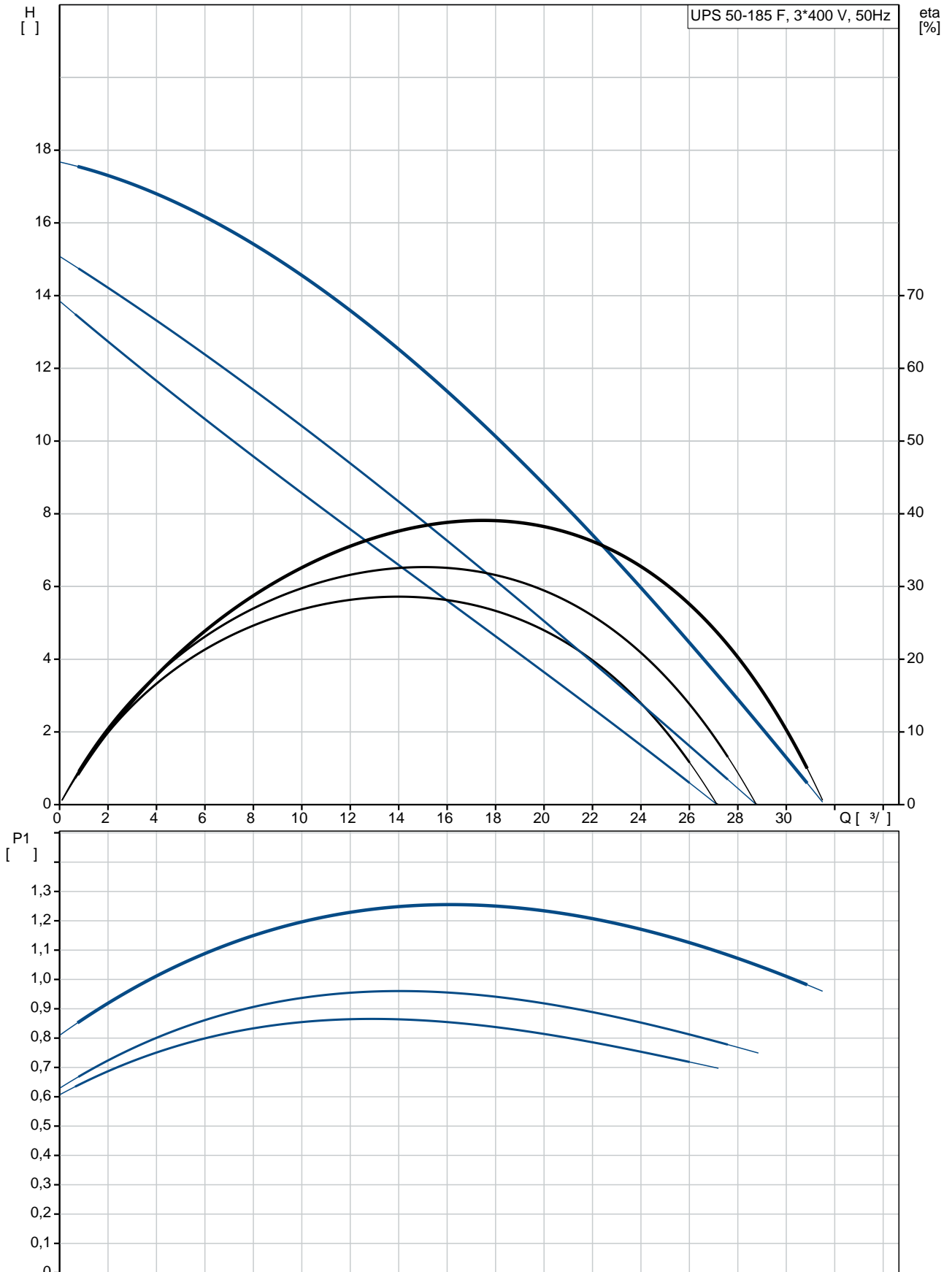
DIN W.-Nr. 1.4301  
 AISI 304

: 0 .. 40 °C

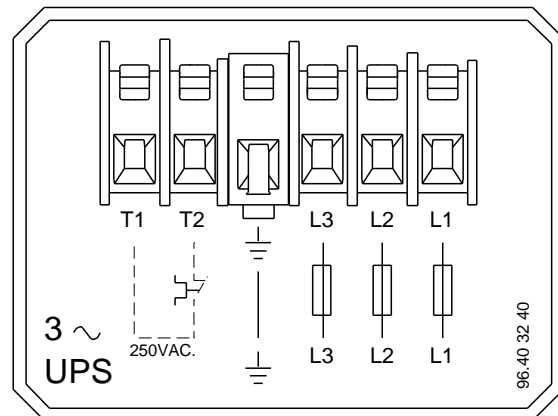
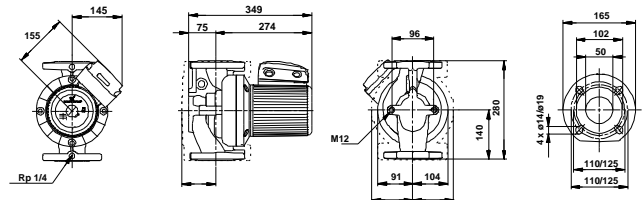
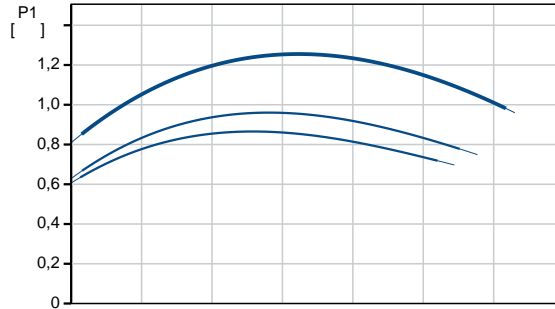
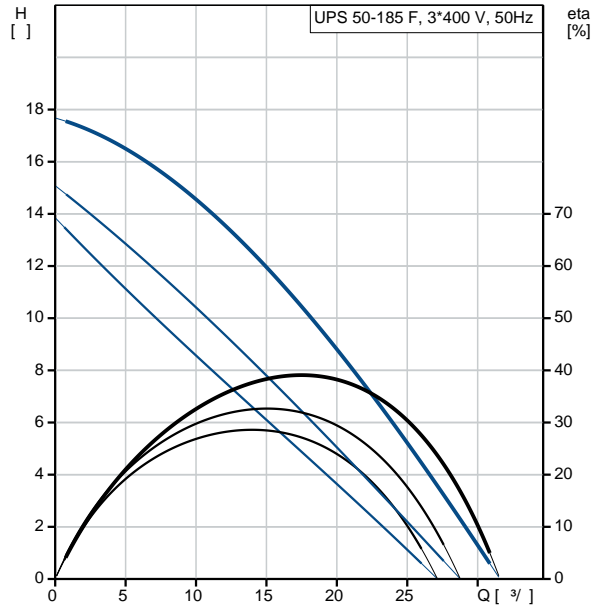
: 10  
 : DIN  
 : DN 50



**UPS 50-185 F 50**

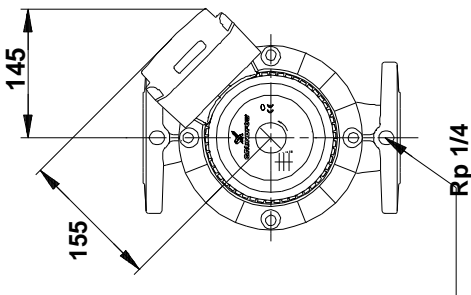
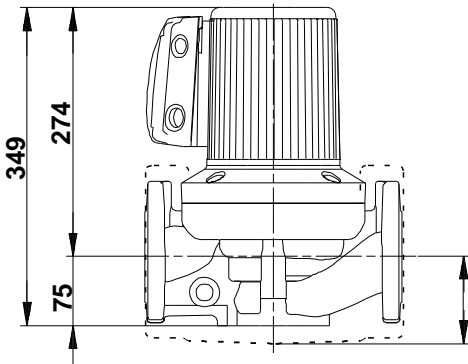
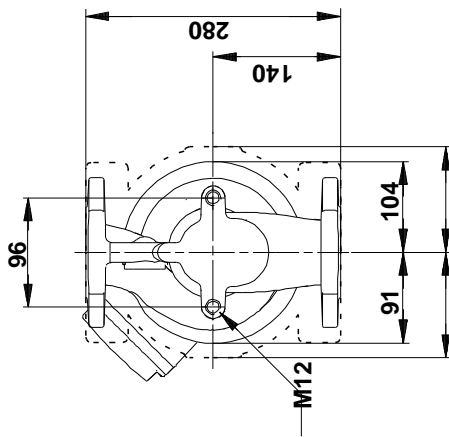
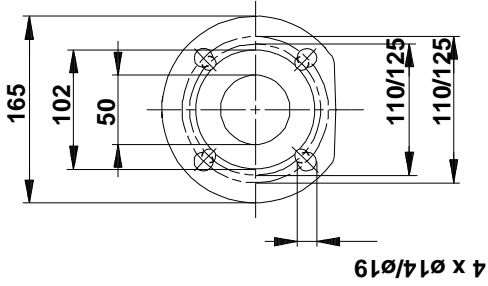


|                              |                   |
|------------------------------|-------------------|
|                              | UPS 50-185 F      |
| EAN                          |                   |
|                              | 3                 |
|                              | 185               |
|                              | AAA,EAC           |
|                              | EN-JL1040         |
|                              | ASTM 35 B - 40 B  |
|                              | DIN W.-Nr. 1.4301 |
|                              | AISI 304          |
|                              | 0 .. 40 °C        |
|                              | 10                |
|                              | DIN               |
|                              | DN 50             |
|                              | PN 6 / PN 10      |
|                              | 280               |
|                              | -10 .. 120 °C     |
|                              | 60 °C             |
|                              | 983.2 / ³         |
|                              | 1: 870            |
|                              | 2: 965            |
|                              | 1265              |
|                              | 50 Hz             |
|                              | 3 x 400-415       |
|                              | 1: 1.44 A         |
|                              | 2: 1.6 A          |
|                              | 3: 2.35 A         |
| Cos                          | 1: 0.87           |
| Cos                          | 2: 0.87           |
| Cos                          | 0.78              |
|                              | (IEC 85): H       |
| Enclosure class (IEC 60529): | X4D               |
|                              | CONTACT           |



**UPS 50-185 F 50**

## UPS 50-185 F 50



**UPS 50-185 F 50**

