

1 UPS 50-120 F



\* 3  
 \*  
 \*  
 \*  
 \*  
 \*  
 \*

-1-

: -10 .. 120 °C  
 : 60 °C  
 : 983.2 / 3

: AAA,EAC

EN-JL1040  
 ASTM 35 B - 40 B

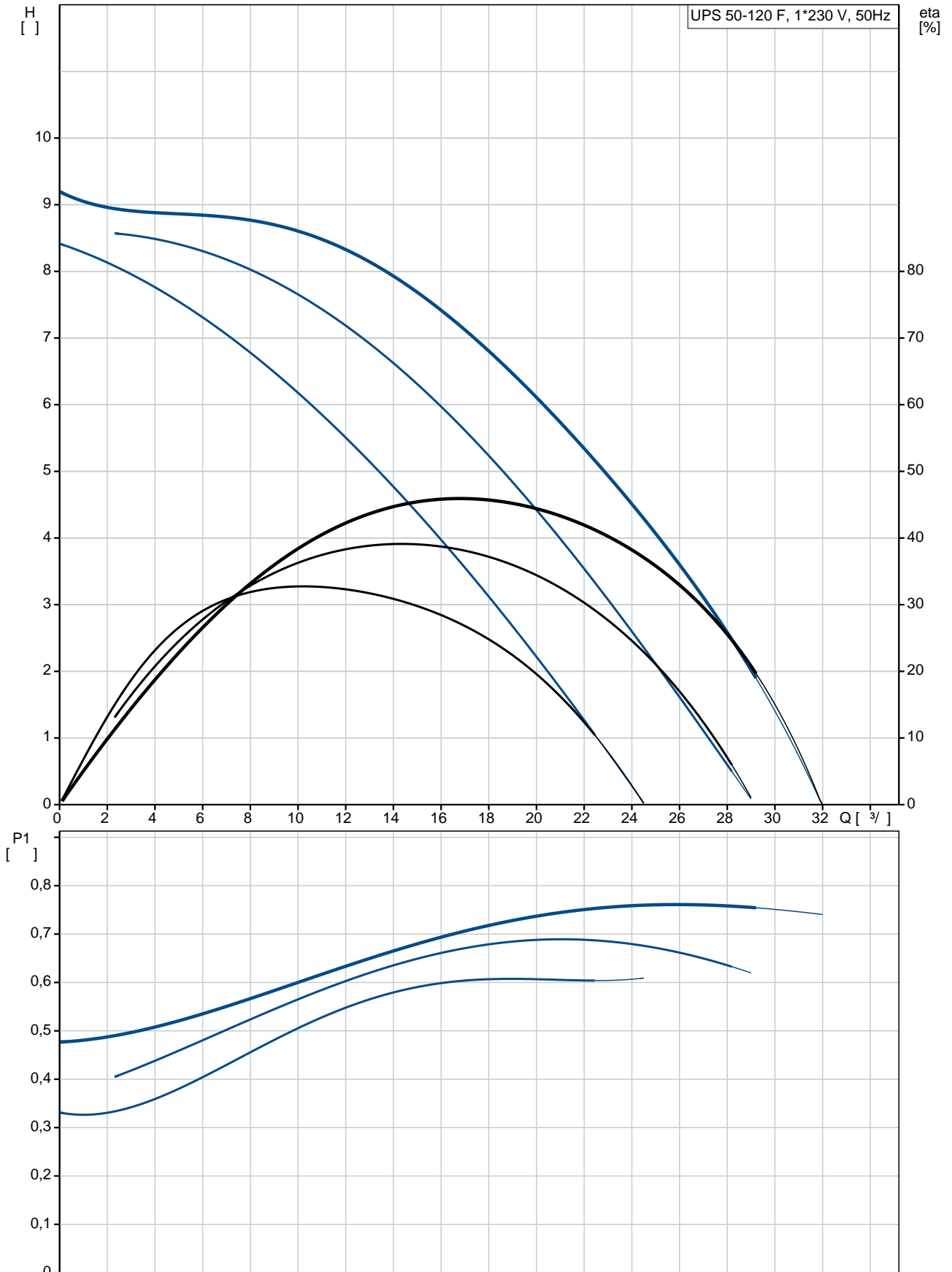
DIN W.-Nr. 1.4301  
 AISI 304

: 0 .. 40 °C

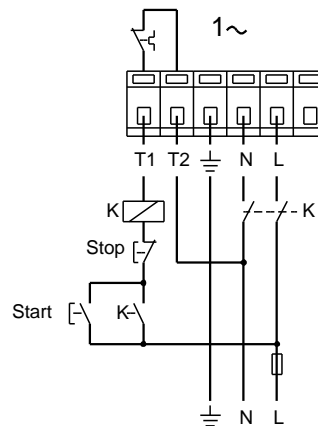
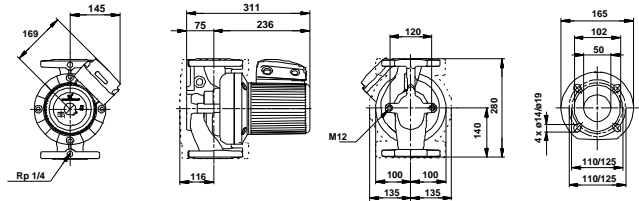
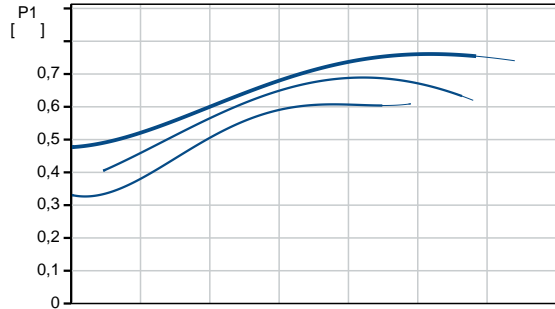
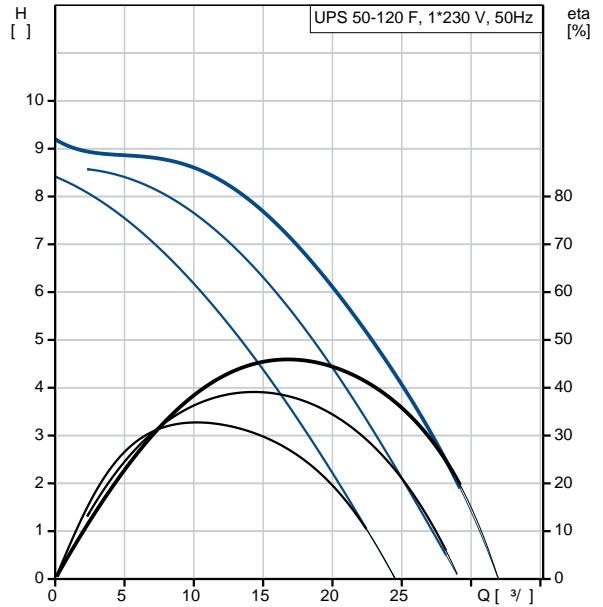
: 10  
 : DIN  
 : DN 50

PN 6 / PN 10  
280  
1: 620  
2: 700  
: 760  
50 Hz  
: 1 x 230-240  
1: 3.05 A  
2: 3.35 A  
3: 3.6 A  
Cos 1: 0.88  
Cos 2: 0.91  
Cos : 0.92  
: 25 /400  
(IEC 85): H  
Enclosure class (IEC 60529): X4D  
27.5  
28  
0.043<sup>3</sup>  
C RS  
8413703000

**UPS 50-120 F 50**

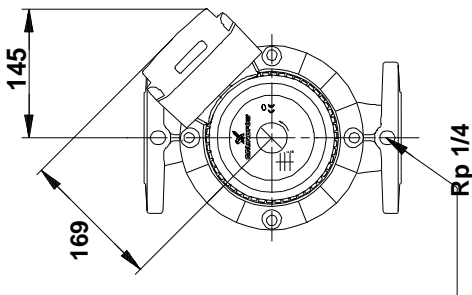
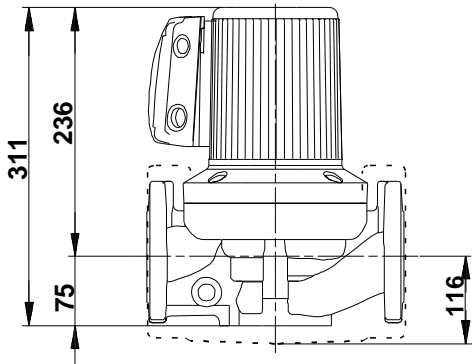
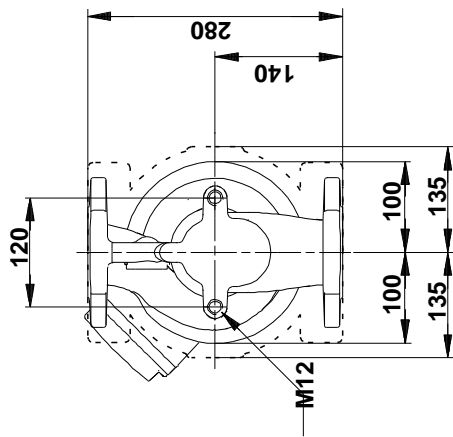
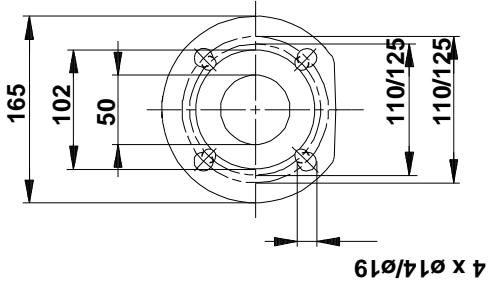


|                              |                   |
|------------------------------|-------------------|
|                              | UPS 50-120 F      |
| EAN                          |                   |
|                              | 3                 |
|                              | 120               |
|                              | AAA,EAC           |
|                              | EN-JL1040         |
|                              | ASTM 35 B - 40 B  |
|                              | DIN W.-Nr. 1.4301 |
|                              | AISI 304          |
|                              | 0 .. 40 °C        |
|                              | 10                |
|                              | DIN               |
|                              | DN 50             |
|                              | PN 6 / PN 10      |
|                              | 280               |
|                              | -10 .. 120 °C     |
|                              | 60 °C             |
|                              | 983.2 / ³         |
|                              | 1: 620            |
|                              | 2: 700            |
|                              | 760               |
|                              | 50 Hz             |
|                              | 1 x 230-240       |
|                              | 1: 3.05 A         |
|                              | 2: 3.35 A         |
|                              | 3: 3.6 A          |
| Cos                          | 1: 0.88           |
| Cos                          | 2: 0.91           |
| Cos                          | 0.92              |
|                              | 25 /400           |
| (IEC 85):                    | H                 |
| Enclosure class (IEC 60529): | X4D               |
|                              | CONTACT           |
|                              | 1.30H             |
|                              | 27.5              |
|                              | 28                |
|                              | 0.043 ³           |
| C                            | RS                |
|                              | 8413703000        |

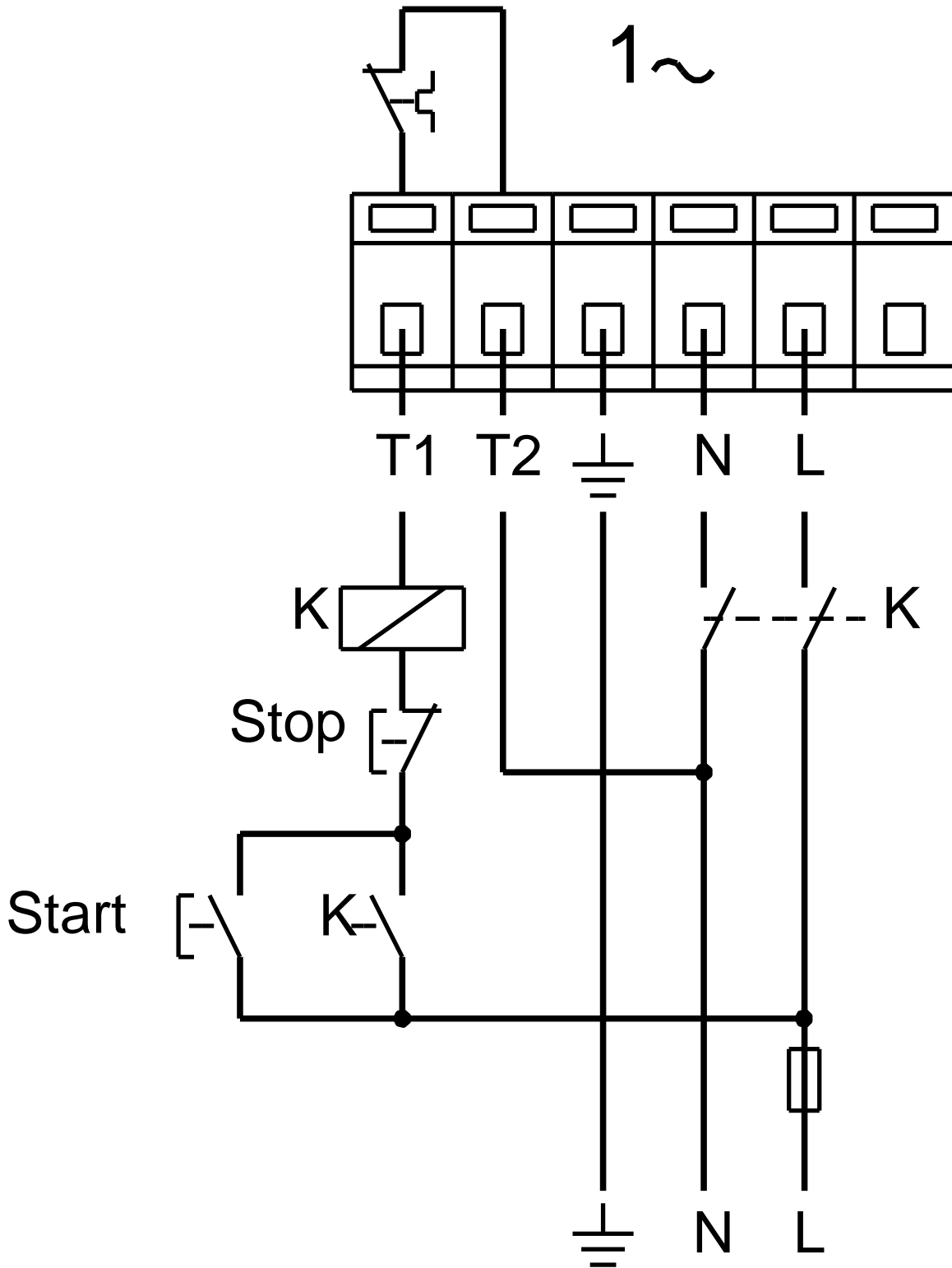


**UPS 50-120 F 50**

**UPS 50-120 F 50**



**UPS 50-120 F 50**



! [ ], .