

1 UPS 40-60/2 F



\* 3  
 \*  
 \*  
 \*  
 \*  
 \*  
 \*

- 3 -

: -10 .. 120 °C  
 : 60 °C  
 : 983.2 / 3

: AAA,EAC

EN-JL1040  
 ASTM 35 B - 40 B

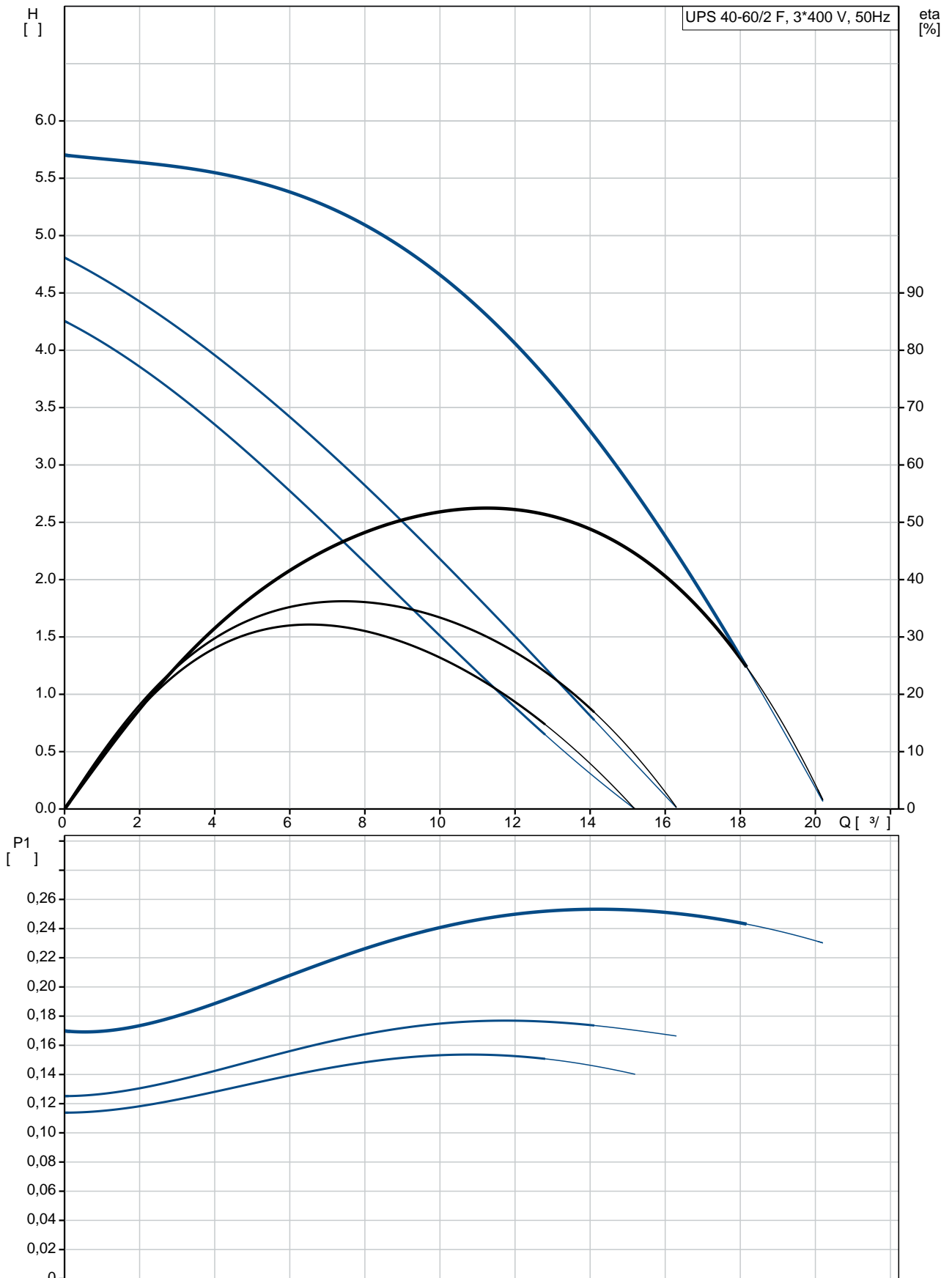
DIN W.-Nr. 1.4301  
 AISI 304

: 0 .. 40 °C

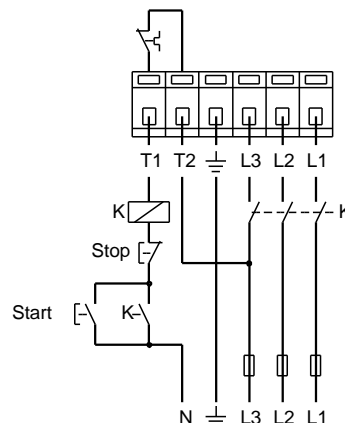
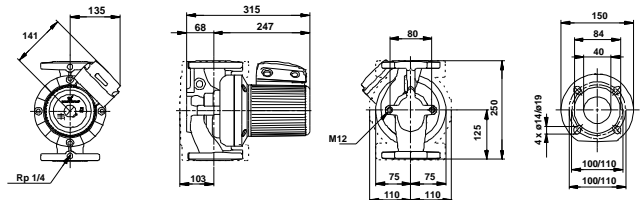
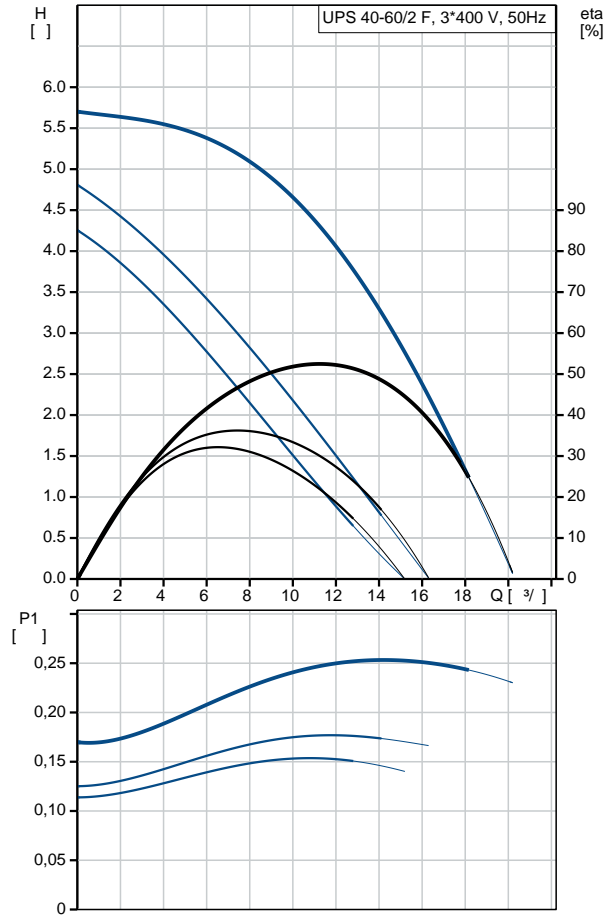
: 10  
 : DIN  
 : DN 40

PN 6 / PN 10  
250  
1: 155  
2: 175  
: 250  
50 Hz  
: 3 x 400-415  
1: 0.25 A  
2: 0.29 A  
3: 0.46 A  
Cos 1: 0.89  
Cos 2: 0.87  
Cos : 0.78  
: 2  
(IEC 85): F  
Enclosure class (IEC 60529): X4D  
: 16.6  
: 17.9  
: 0.029<sup>3</sup>  
Danish VVS No.: 380713241  
Finnish LVI No.: 4615410  
Norwegian NRF no.: 9042416  
C : RS  
: 8413703000

**UPS 40-60/2 F 50**

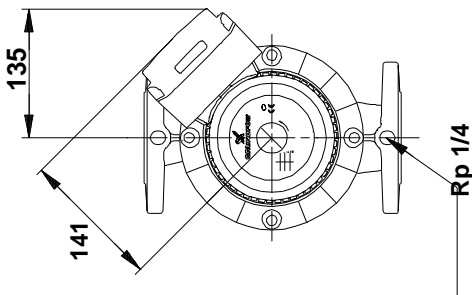
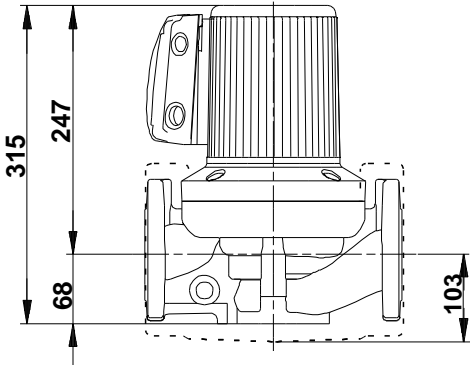
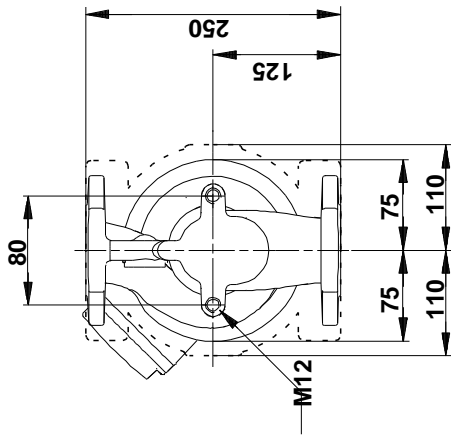
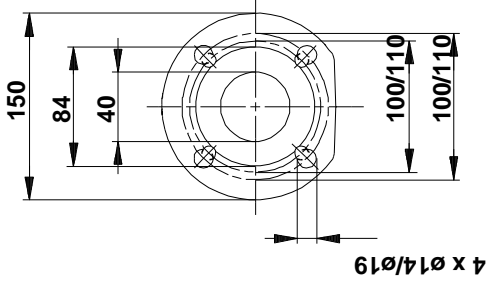


	UPS 40-60/2 F
EAN	
	3
	60
	AAA,EAC
	EN-JL1040
	ASTM 35 B - 40 B
	DIN W.-Nr. 1.4301
	AISI 304
	0 .. 40 °C
	10
	DIN
	DN 40
	PN 6 / PN 10
	250
	-10 .. 120 °C
	60 °C
	983.2 / ³
	1: 155
	2: 175
	250
	50 Hz
	3 x 400-415
	1: 0.25 A
	2: 0.29 A
	3: 0.46 A
Cos	1: 0.89
Cos	2: 0.87
Cos	0.78
	2
(IEC 85):	F
Enclosure class (IEC 60529):	X4D
	CONTACT
	1.30H
	16.6
	17.9
	0.029 ³
Danish VVS No.:	380713241
Finnish LVI No.:	4615410
Norwegian NRF no.:	9042416
C	RS
	8413703000



**UPS 40-60/2 F 50**

**UPS 40-60/2 F 50**



**UPS 40-60/2 F 50**

