

1 UPS 40-120 F



* 3
 *
 *
 *
 *
 *
 *

-3-

: -10 .. 120 °C
 : 60 °C
 : 983.2 / ³

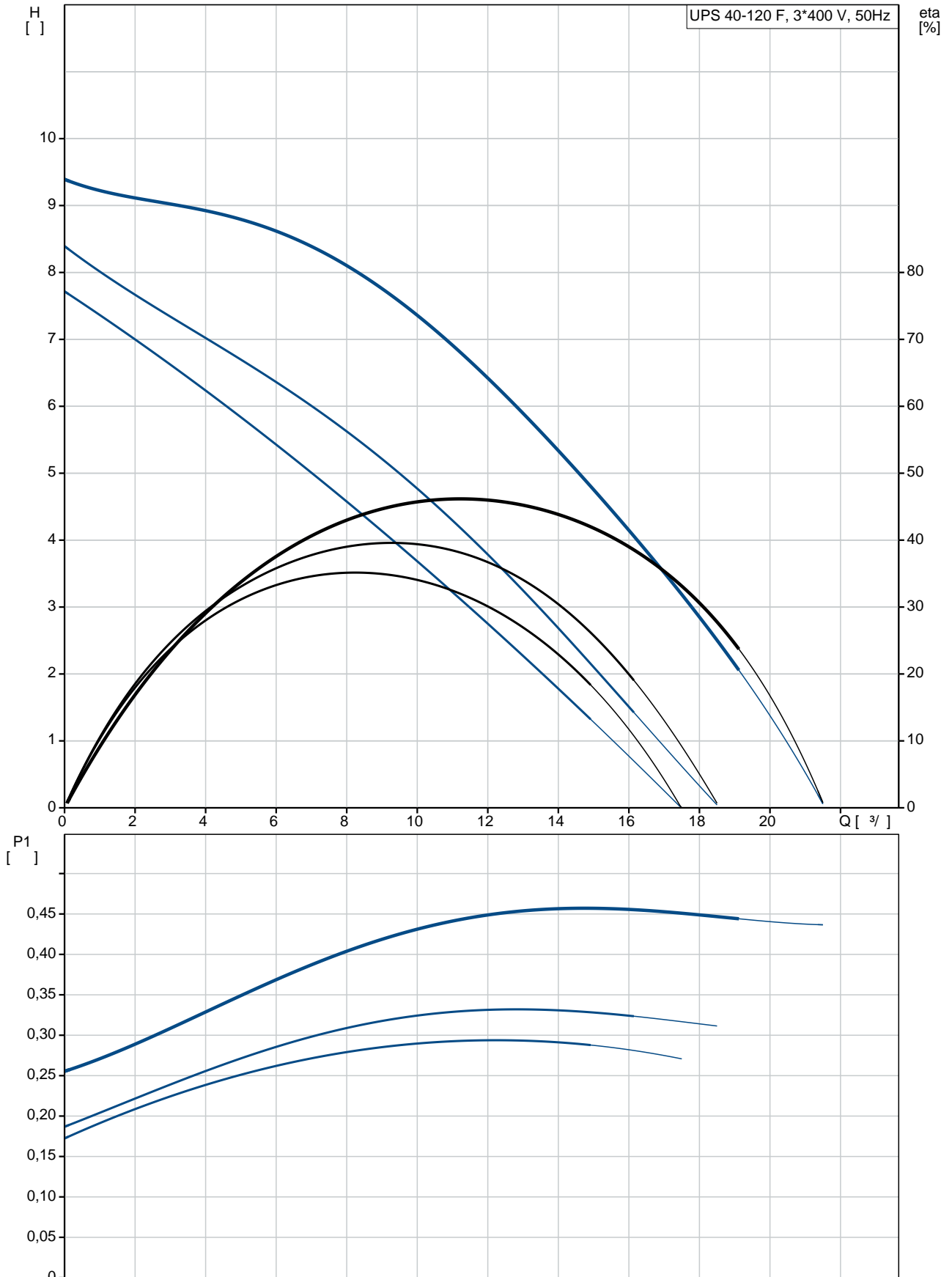
: AAA,EAC

EN-JL1040
 ASTM 35 B - 40 B

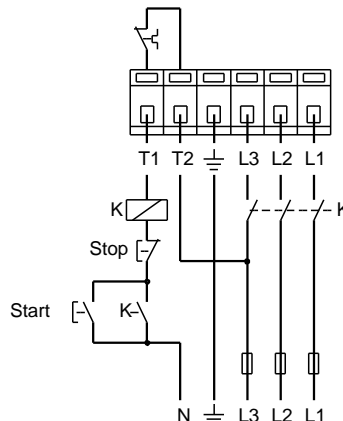
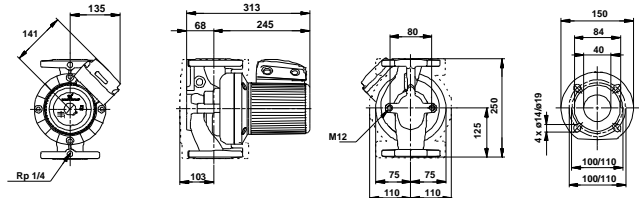
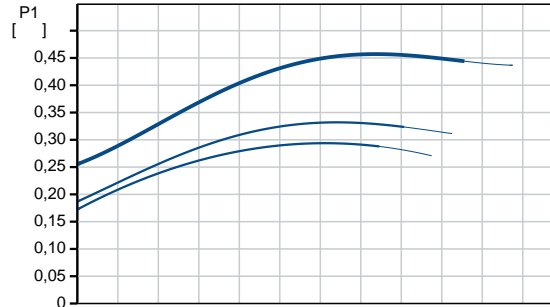
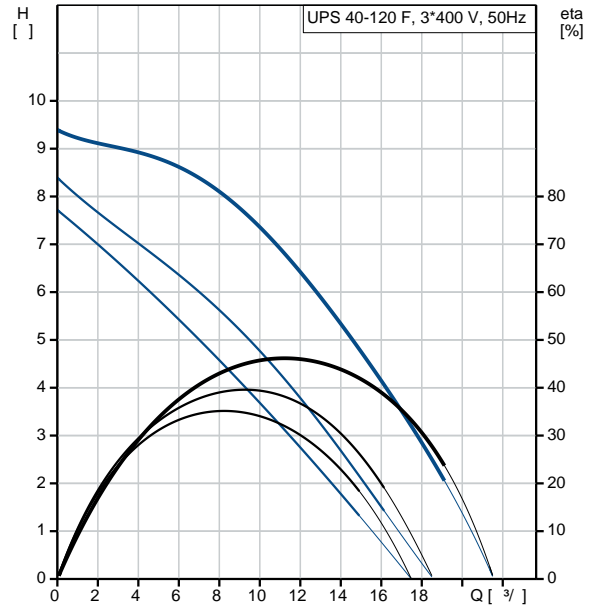
DIN W.-Nr. 1.4301
 AISI 304

:
: 0 .. 40 °C
: 10
: DIN
: DN 40
: PN 6 / PN 10
: 250
:
1: 290
2: 330
: 460
: 50 Hz
: 3 x 400-415
1: 0.49 A
2: 0.56 A
3: 0.92 A
Cos 1: 0.85
Cos 2: 0.85
Cos : 0.72
(IEC 85): F
Enclosure class (IEC 60529): X4D
:
: 19.1
: 19.5
: 0.029 ³
Danish VVS No.: 380715041
Finnish LVI No.: 4615414
Norwegian NRF no.: 9042414
C : RS
: 8413703000

UPS 40-120 F 50

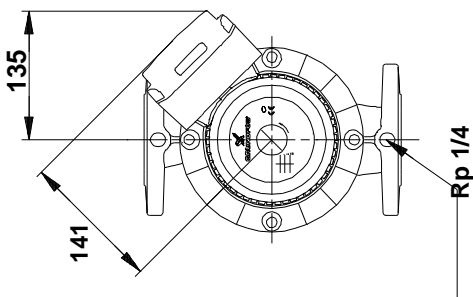
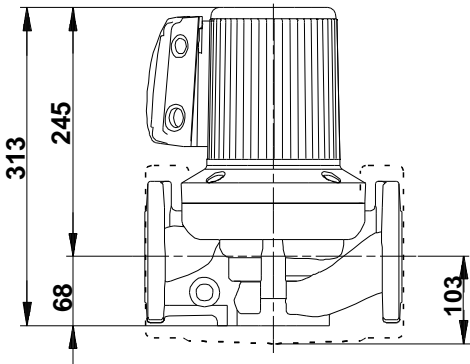
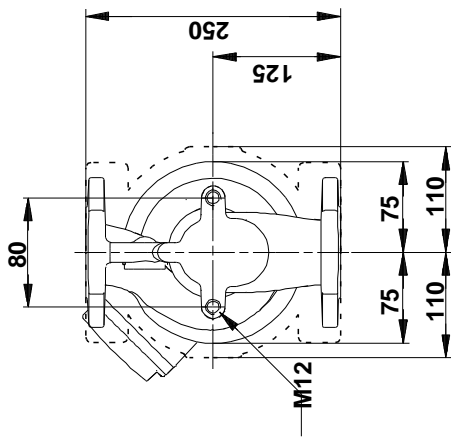
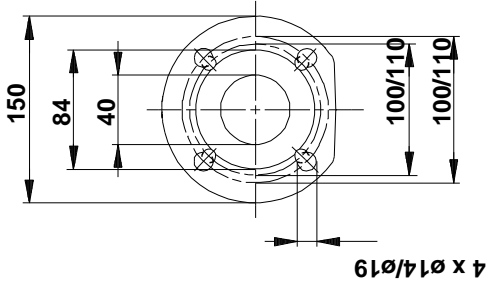


	UPS 40-120 F
EAN	
	3
	120
	AAA,EAC
	EN-JL1040
	ASTM 35 B - 40 B
	DIN W.-Nr. 1.4301
	AISI 304
	0 .. 40 °C
	10
	DIN
	DN 40
	PN 6 / PN 10
	250
	-10 .. 120 °C
	60 °C
	983.2 / ³
	1: 290
	2: 330
	460
	50 Hz
	3 x 400-415
	1: 0.49 A
	2: 0.56 A
	3: 0.92 A
Cos	1: 0.85
Cos	2: 0.85
Cos	0.72
	(IEC 85): F
Enclosure class (IEC 60529):	X4D
	CONTACT
	1.30H
	19.1
	19.5
	0.029 ³
Danish VVS No.:	380715041
Finnish LVI No.:	4615414
Norwegian NRF no.:	9042414
C	RS
	8413703000

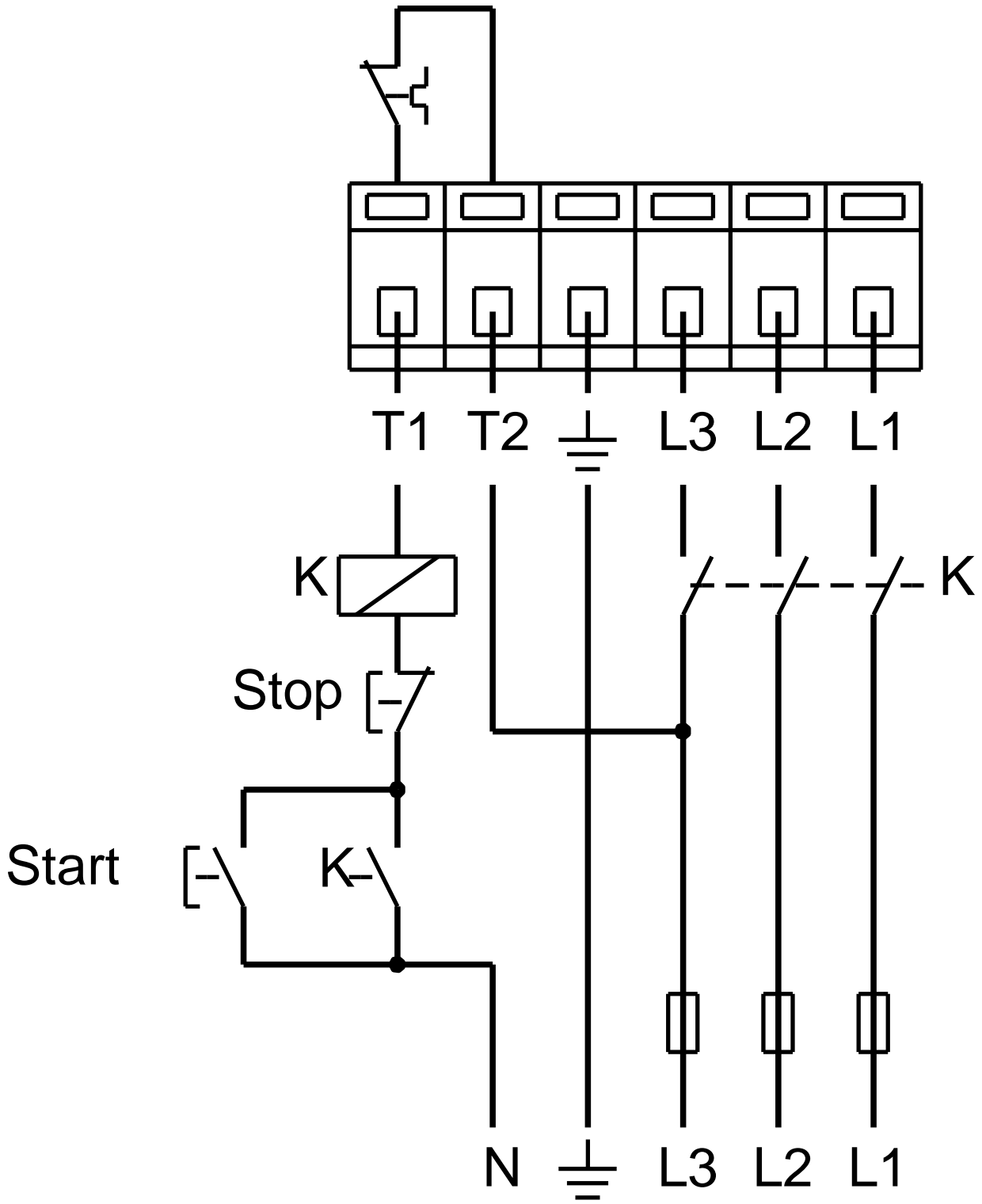


UPS 40-120 F 50

UPS 40-120 F 50



UPS 40-120 F 50



! [], .