

1 UP 20-45 N 150



, PES/PP.

1-

: -25 .. 110 °C
 : 60 °C
 983.2 / ³

TF

: 110
 : CE,EAC,WEEE

DIN W.-Nr. 1.4301
 AISI 304
 , PES/PP

.T : - 80 0C: 40 °C

: 10
 : G 1 1/4
 : PN 10
 : 150

:
 : 120
 : 50 Hz
 : 1 x 230
 3: 0.52 A

- : 2.5
(IEC 34-5): X2D
(IEC 85): F

:
:
(): 3.6
3.8
:
0.008 ³

Danish VVS No.: 380625100

Swedish RSK No.: 5803038

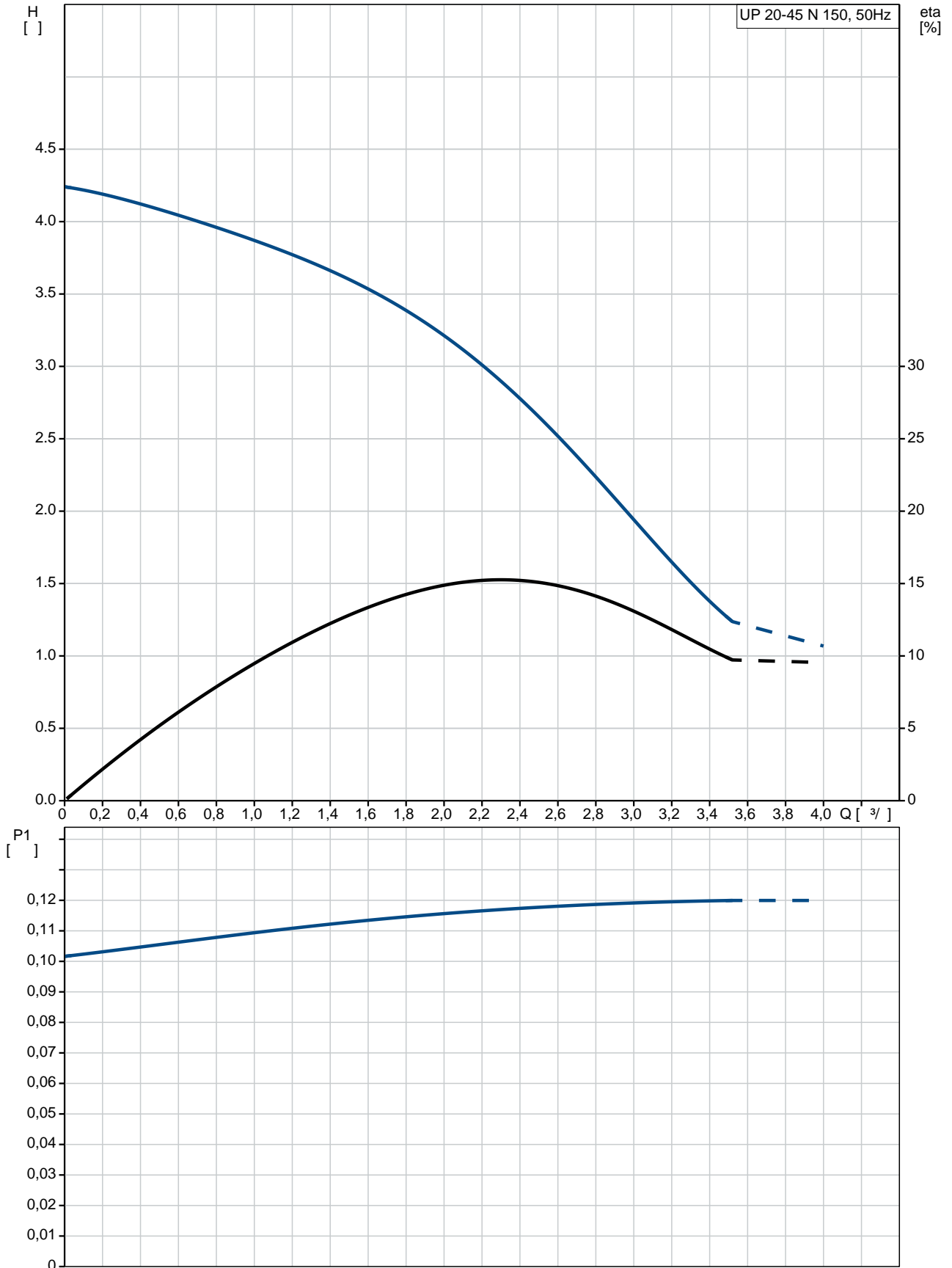
Finnish LVI No.: 4615608

Norwegian NRF no.: 9042213

C : RS

: 8413703000

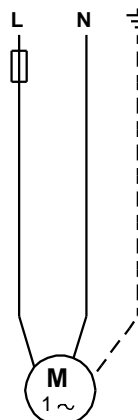
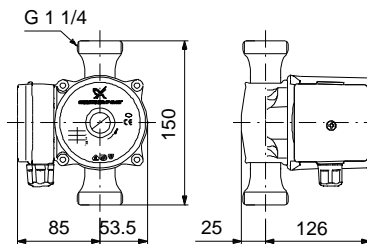
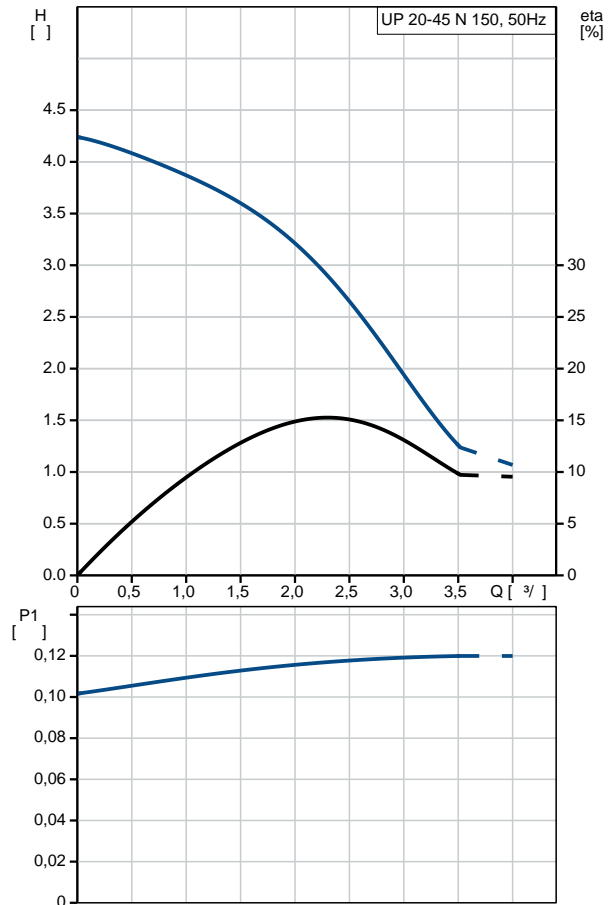
UP 20-45 N 150 50



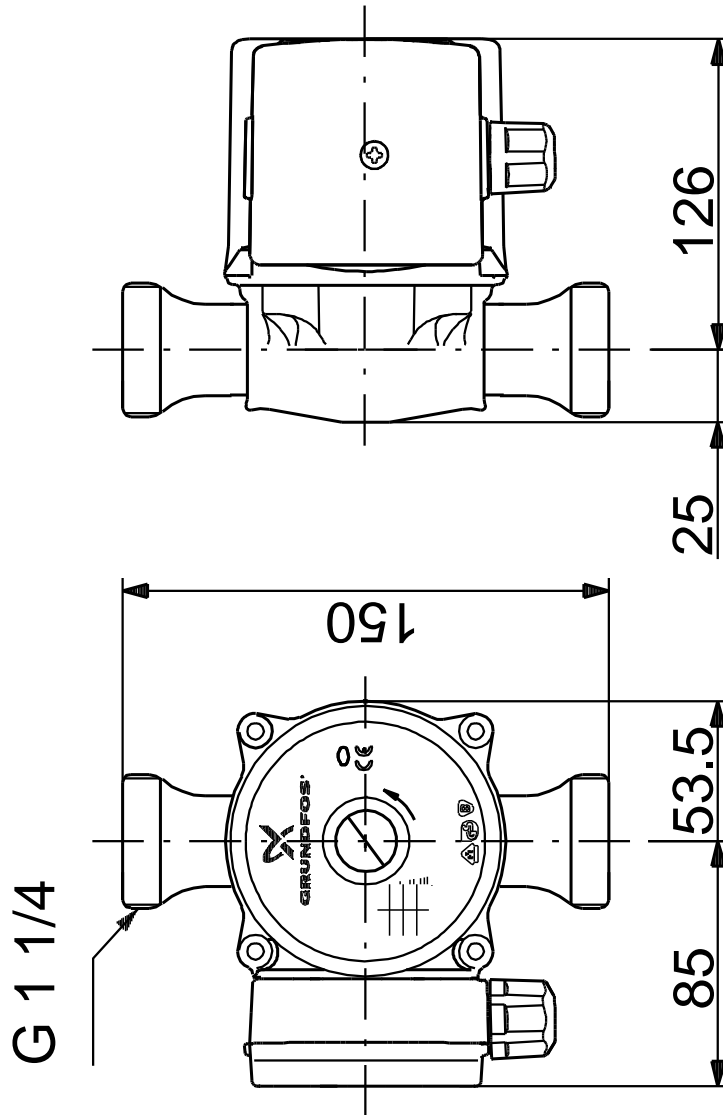
Email:

(044) 402-01-11
sales@delta-term.ua
25.09.2019

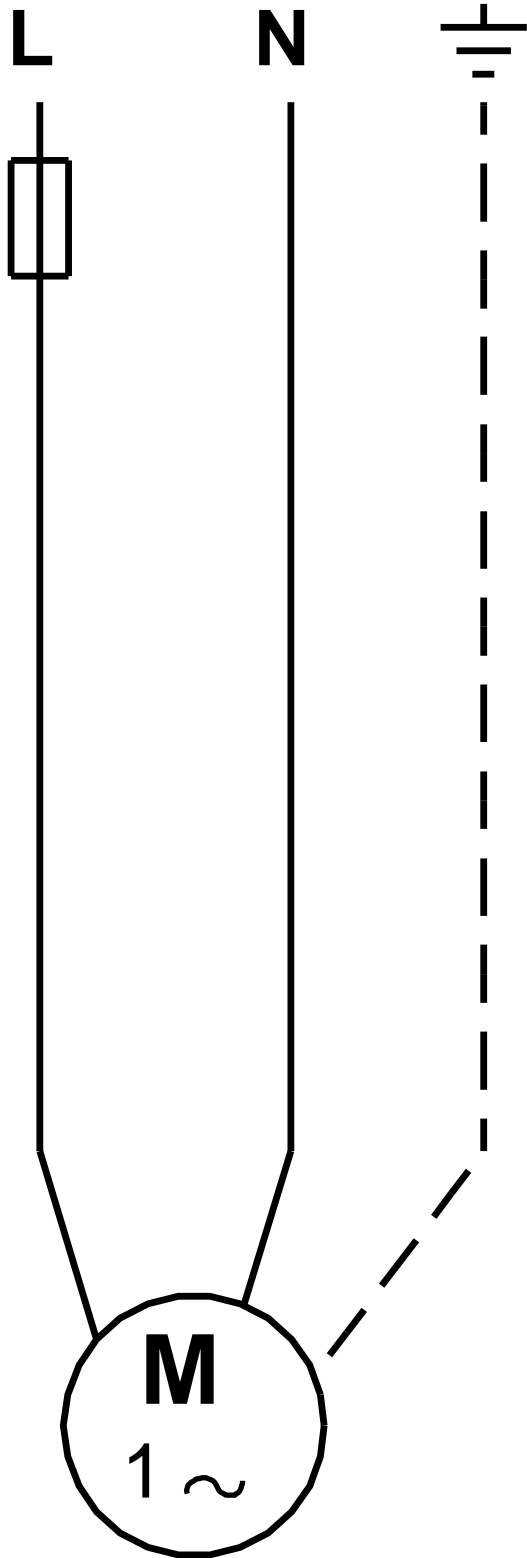
UP 20-45 N 150	
EAN	
TF	1 45 110 CE,EAC,WEEE
	DIN W.-Nr. 1.4301 AISI 304 , PES/PP
80 °C:	40 °C
	10 G 1 1/4 PN 10 150
	-25 .. 110 °C : 60 °C 983.2 / ³
	120 50 Hz 1 x 230 3: 0.52 A 2.5 (IEC 34-5): X2D (IEC 85): F CONTACT
	9H
	3.6 (): 3.8 0.008 ³
Danish VVS No.:	380625100
Swedish RSK No.:	5803038
Finnish LVI No.:	4615608
Norwegian NRF no.:	9042213
C	RS 8413703000



UP 20-45 N 150 50



UP 20-45 N 150 50



! [], .