

1 **Grundfos ALPHA1 L 25-40 N 180 is a high-efficiency circulator pump with permanent-magnet motor (ECM technology).**



The pump features three control modes; radiator heating mode, underfloor heating mode and constant curve/constant speed.

Furthermore, the speed can be controlled by a low-voltage PWM (Pulse Width Modulation) signal.

The pump has a ceramic shaft and radial bearings, carbon thrust bearing, stainless-steel rotor can, bearing plate and rotor cladding, composite impeller, all of which contribute to long life, and the pump is self-venting, which contributes to easy commissioning as well as simple selection of control mode.

The compact design featuring pump head with integrated control box and control panel fits into most common installations as well as boilers.

The pump and motor form an integral unit without shaft seal. The pump is of the wet-runner design. This means the bearings are lubricated by the pumped liquid. These constructions ensure maintenance-free operation.

The pump housing is made of stainless steel, which, when used in domestic hot-water systems, avoids corrosion.

The motor is a synchronous permanent-magnet rotor/compact-stator motor. The pump controller is incorporated in the control box, which is fitted to the stator housing and connected to the stator via a terminal plug.

Features ALPHA1 L

- Three constant curves/constant speed.
- Radiator heating mode.
- Underfloor heating mode.
- PWM profile for heating applications (profile A). The PWM signal is a method for generating an analog signal using a digital source.
- Energy-optimised, complies with the ErP directive
- Unblocking screw, accessible from the front of the control box.
- Runs reliably and efficiently under even the most demanding conditions
- Adjustable and flexible installer plug, with two possible cable gland positions.

	:	:	:	2 .. 95 °C
	:	:	:	60 °C
	:	:	:	983.2 / 3
TF	:	:	:	95
	:	:	:	CE,VDE,EAC
	:	:	:	EN 1.4308
	:	:	:	ASTM A351-CF8
	:	:	:	/PES 30 % GF

: 0 .. 55 °C

10

G 1 1/2

PN 10

180

-P1: 4 .. 25

: 50 Hz

: 1 x 230

: 0.05 .. 0.26 A

(IEC 34-5): X4D

(IEC 85): F

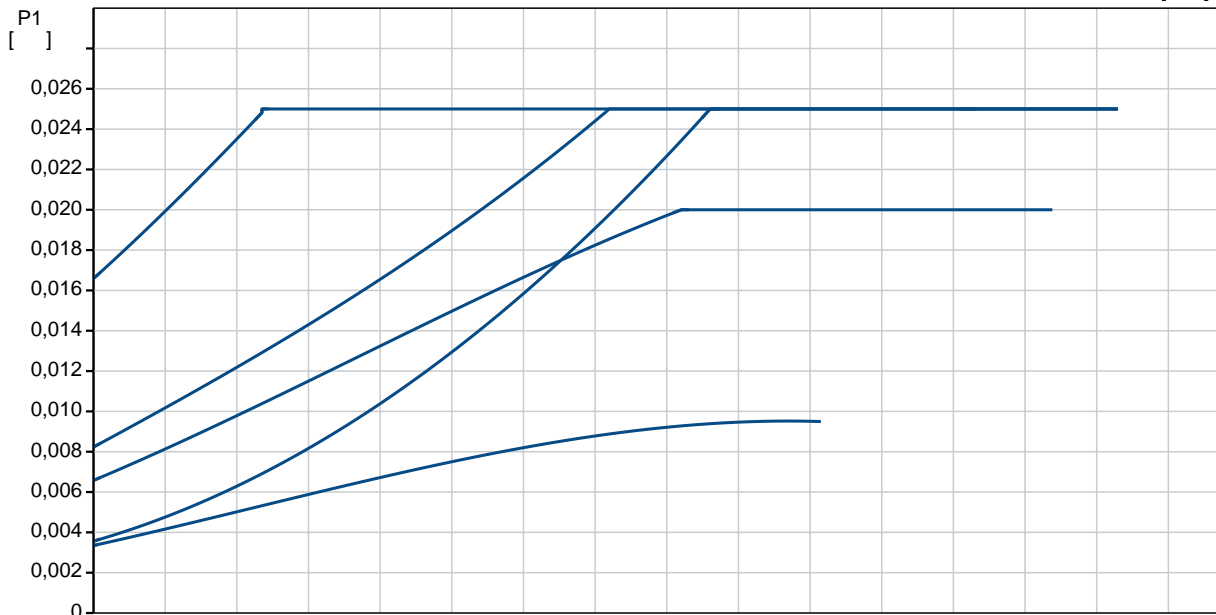
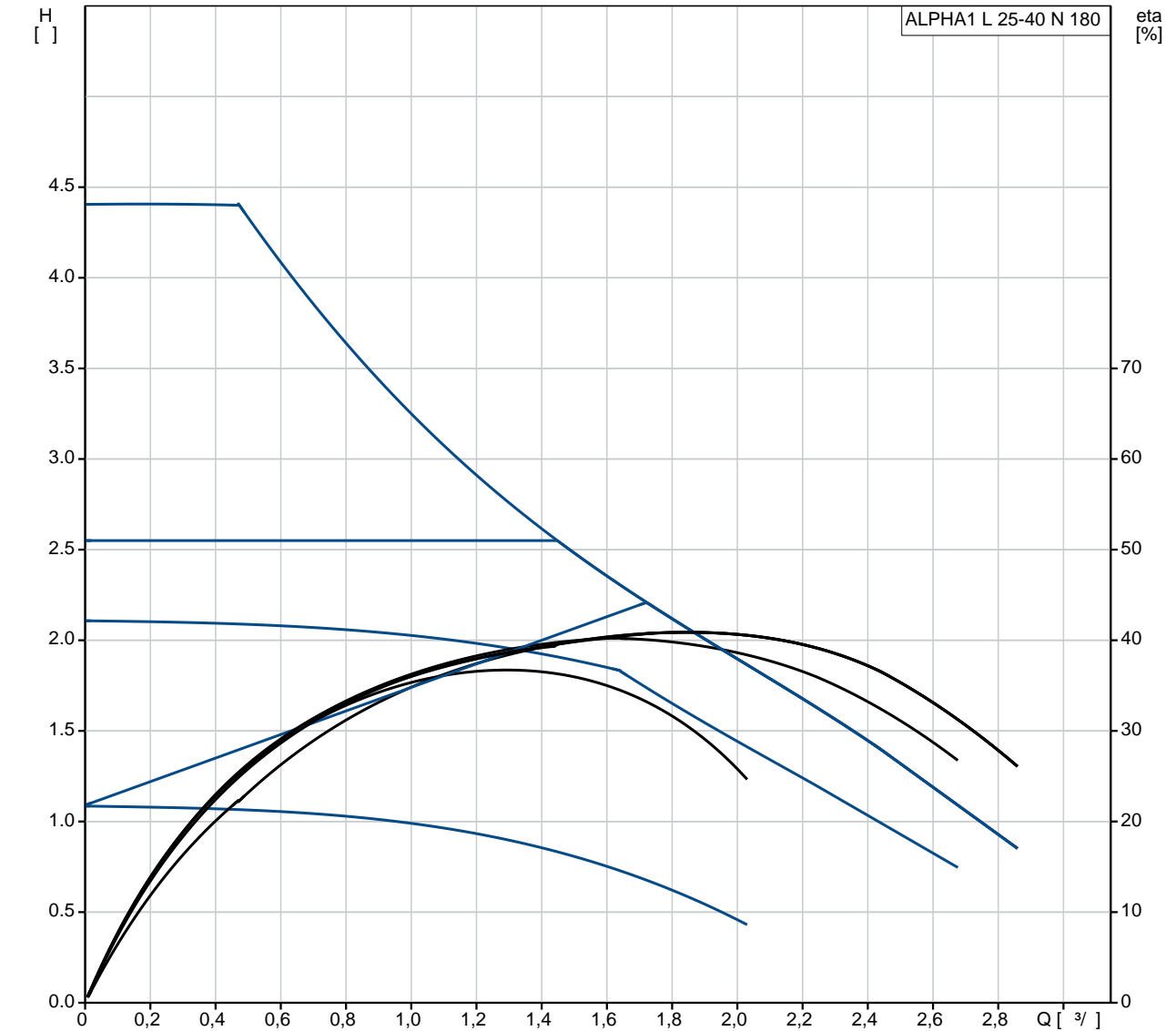
(EEI): 0.20

2.34

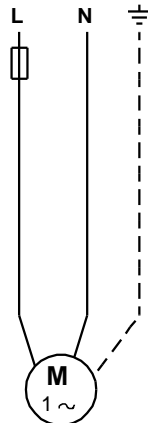
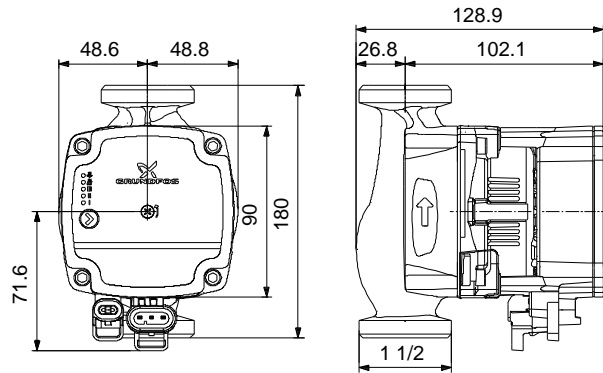
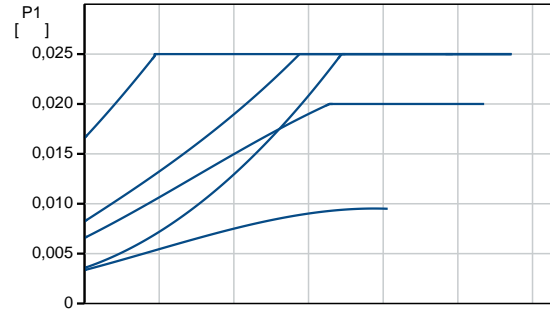
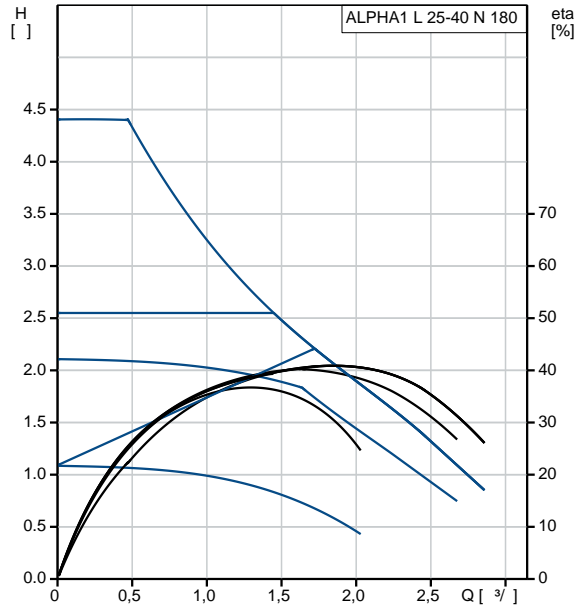
2.44

0.004 <sup>3</sup>

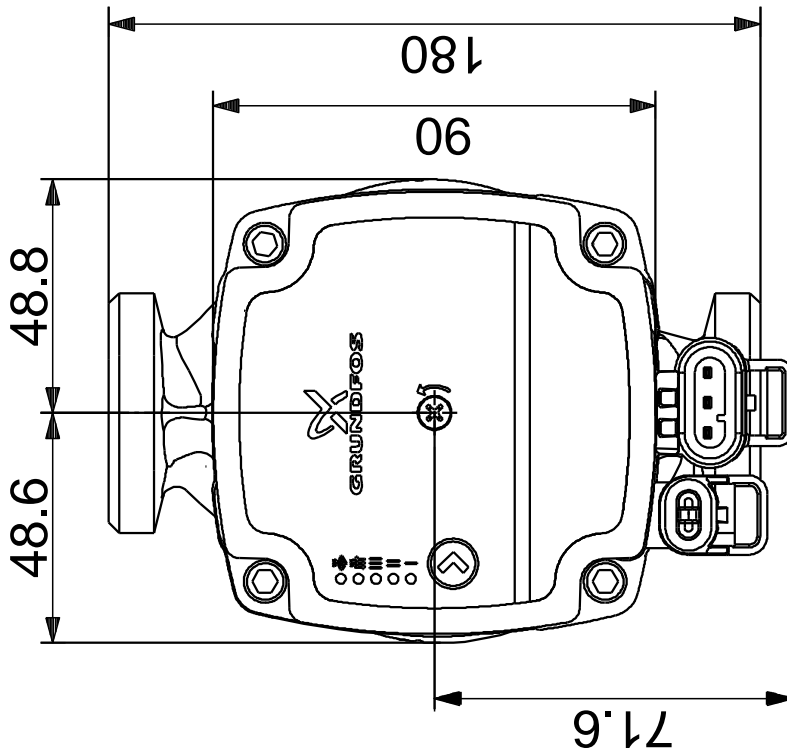
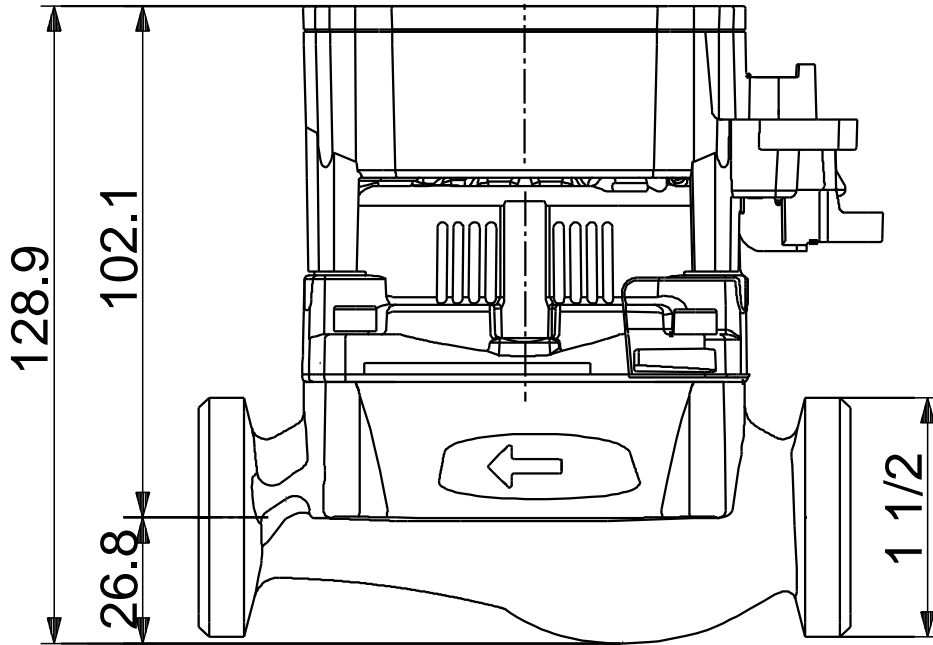
**ALPHA1 L 25-40 N 180 50**



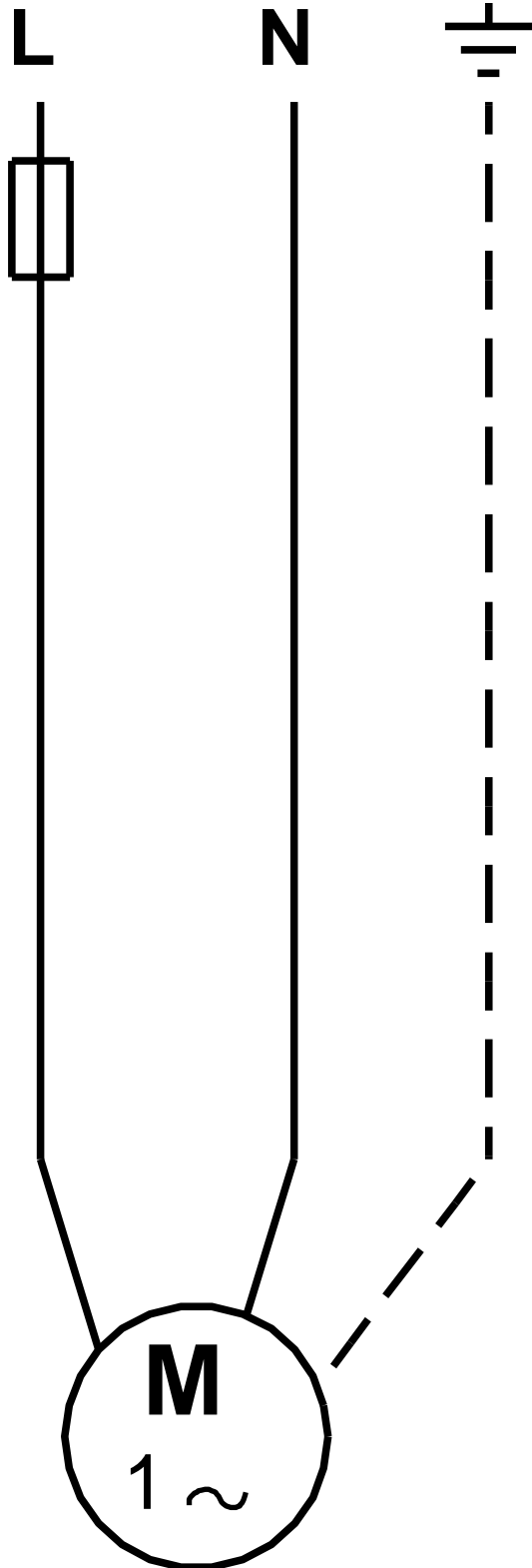
ALPHA1 L 25-40 N 180	
EAN	
TF	40
	95
	CE, VDE, EAC
	C
	EN 1.4308
	ASTM A351-CF8
	GF / PES 30 %
	0 .. 55 °C
	10
	G 1 1/2
	PN 10
	180
	2 .. 95 °C
	60 °C
	983.2 / ³
-P1:	4 .. 25
	50 Hz
	1 x 230
	0.05 .. 0.26 A
(IEC 34-5):	X4D
(IEC 85):	F
	ELEC
	6H
(EEI):	0.20
	2.34
	2.44
	0.004 ³



**ALPHA1 L 25-40 N 180 50**



**ALPHA1 L 25-40 N 180 50**



! [ ], .

: ALPHA1 L 25-40 N 180  
1

- :

:

: